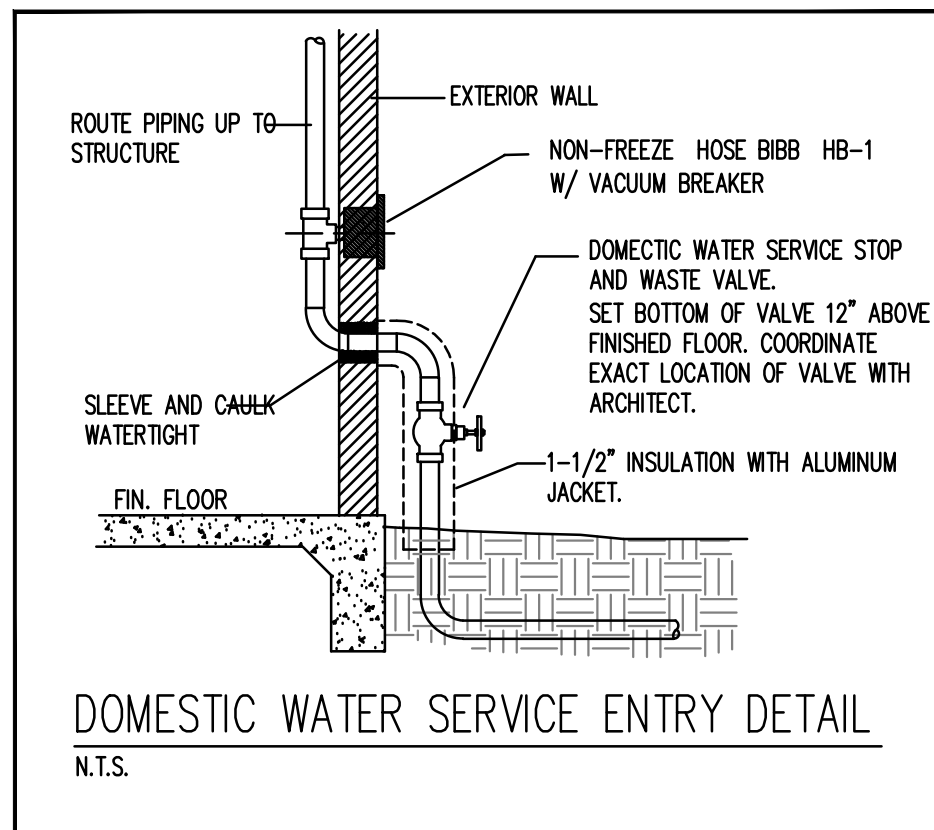
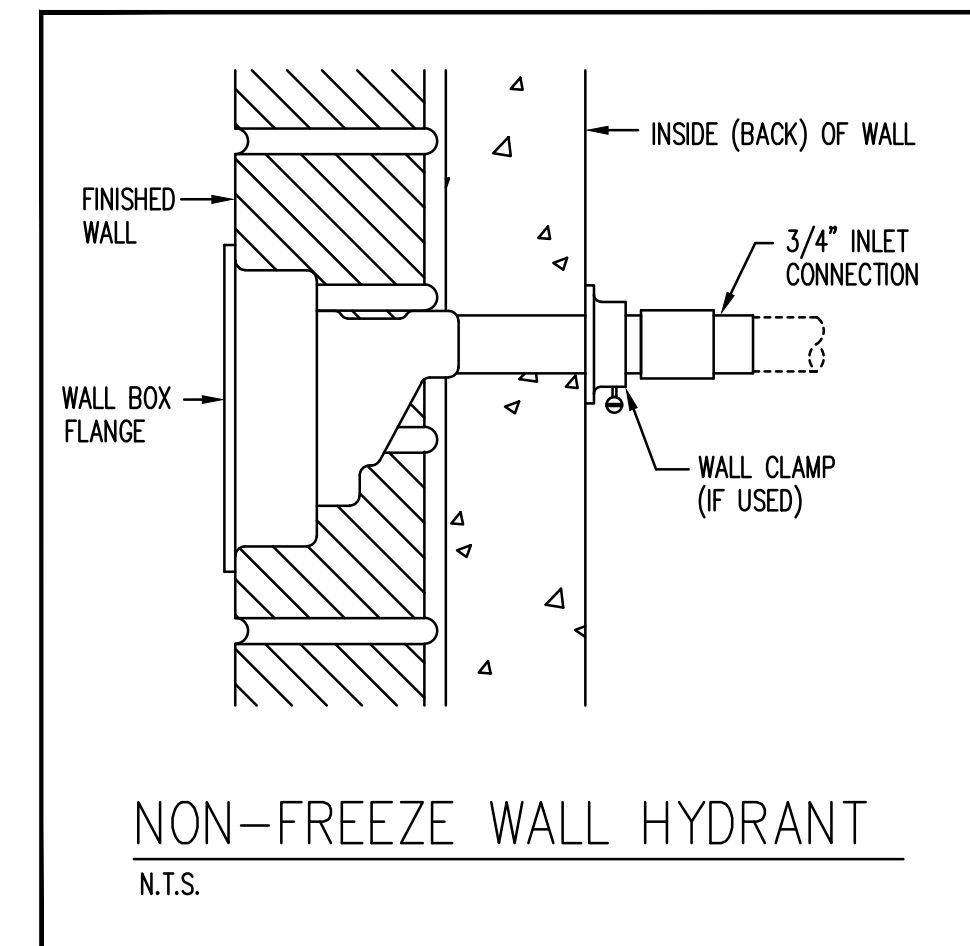
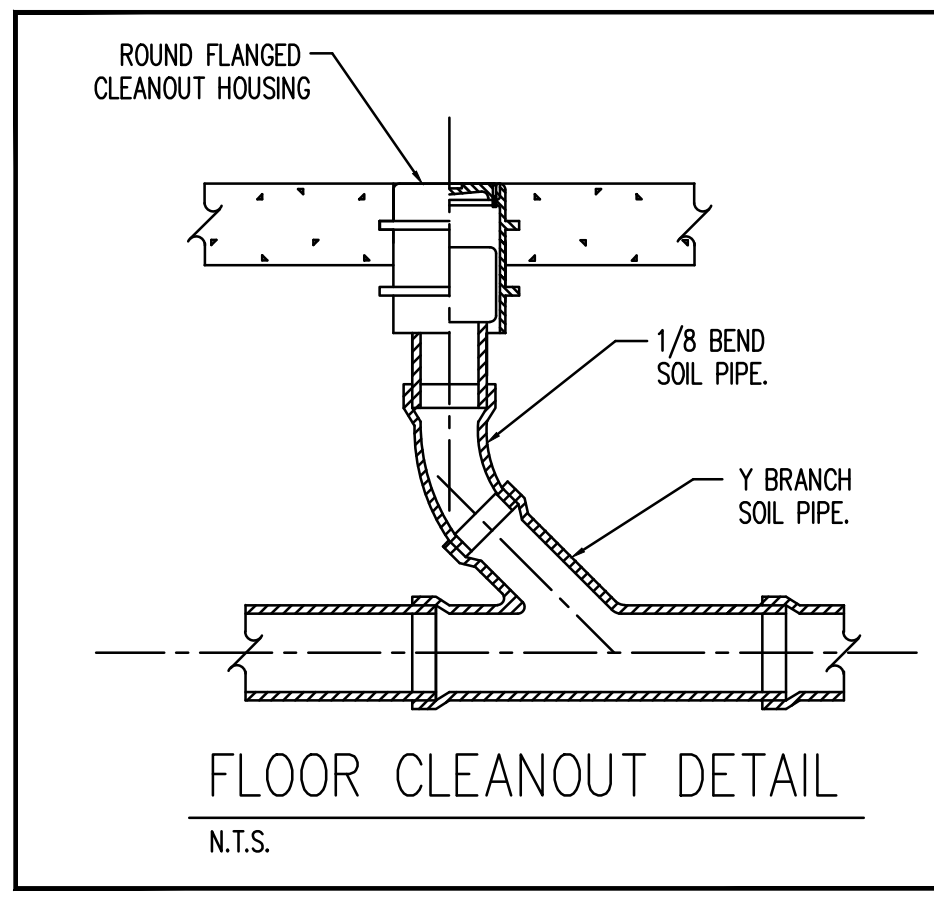
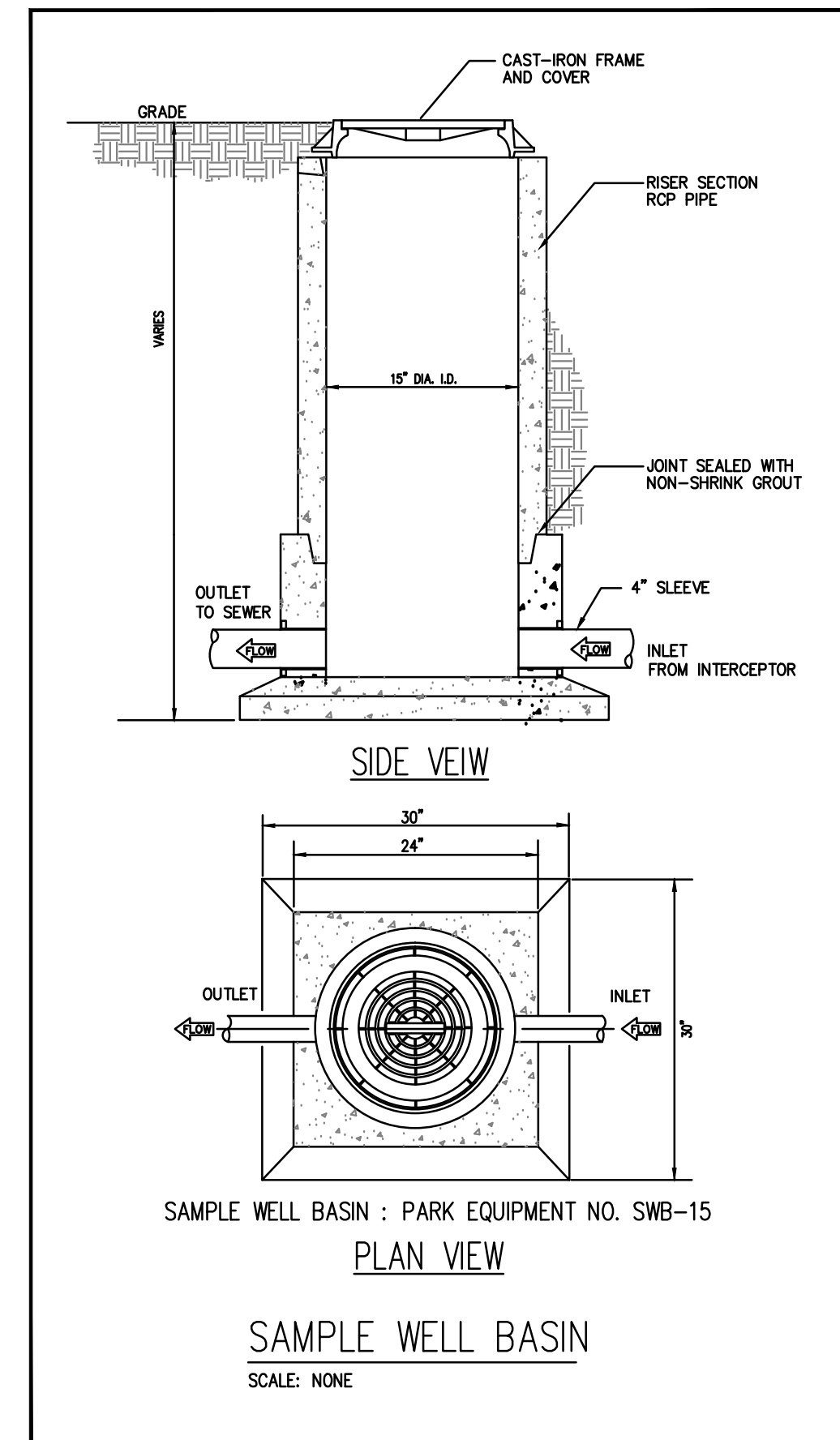
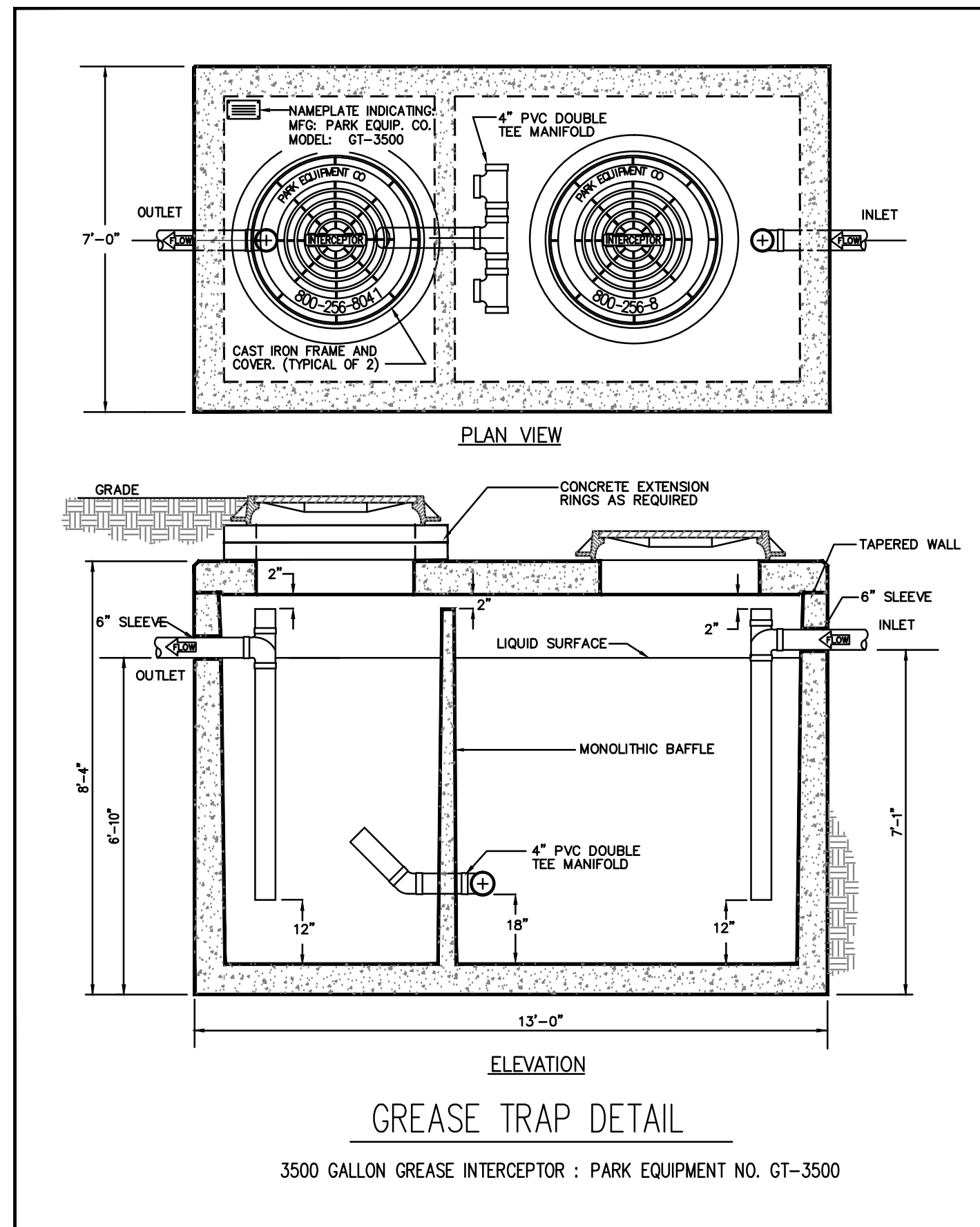
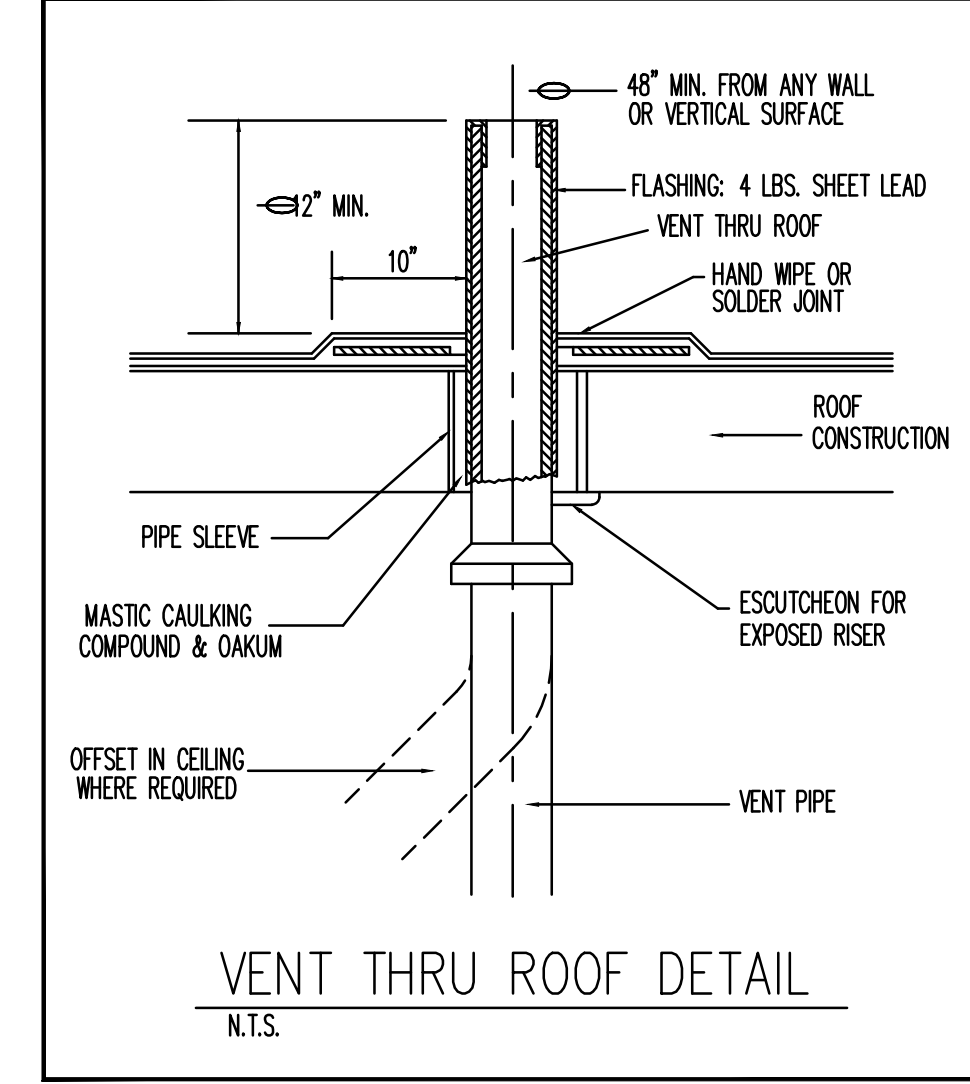
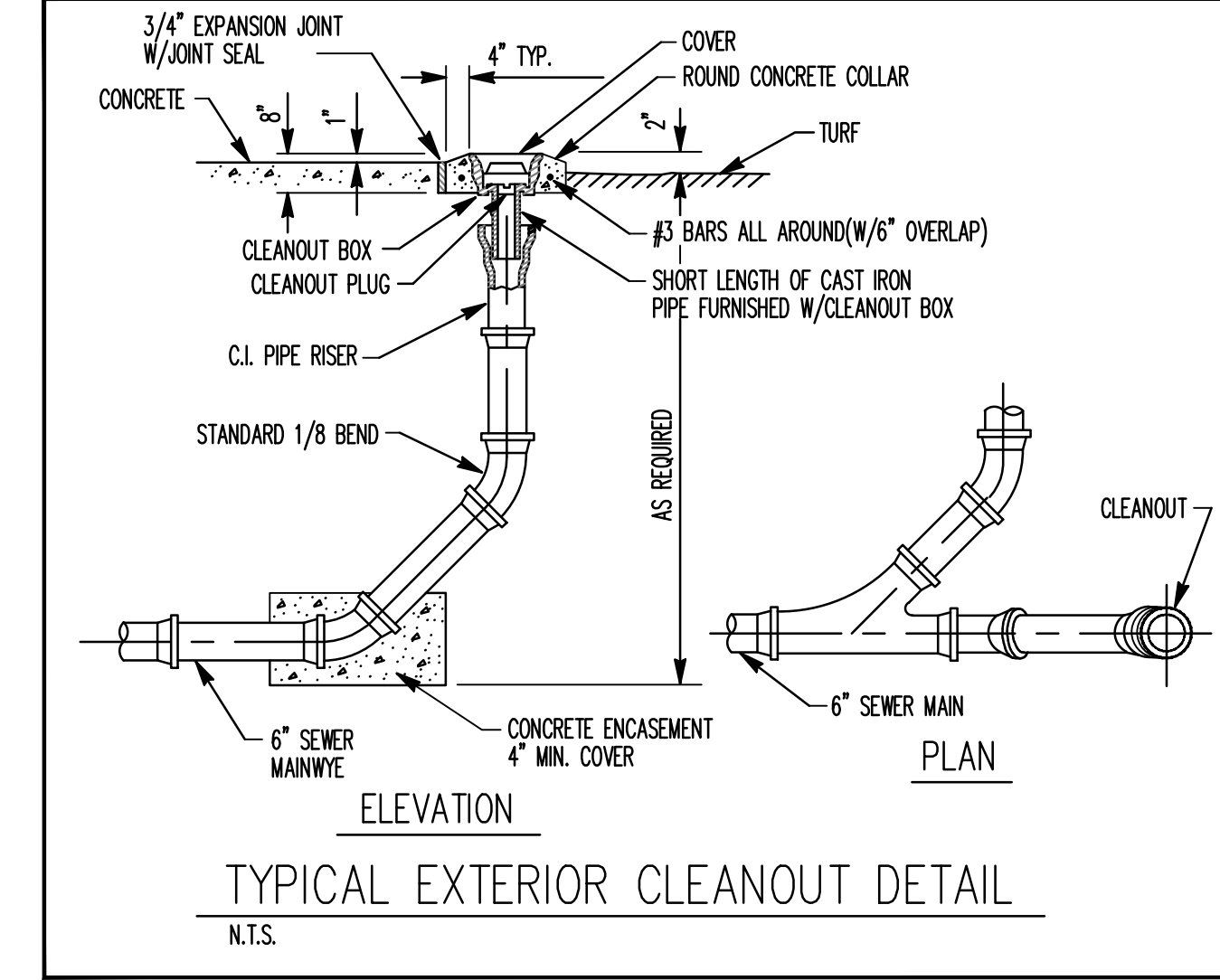
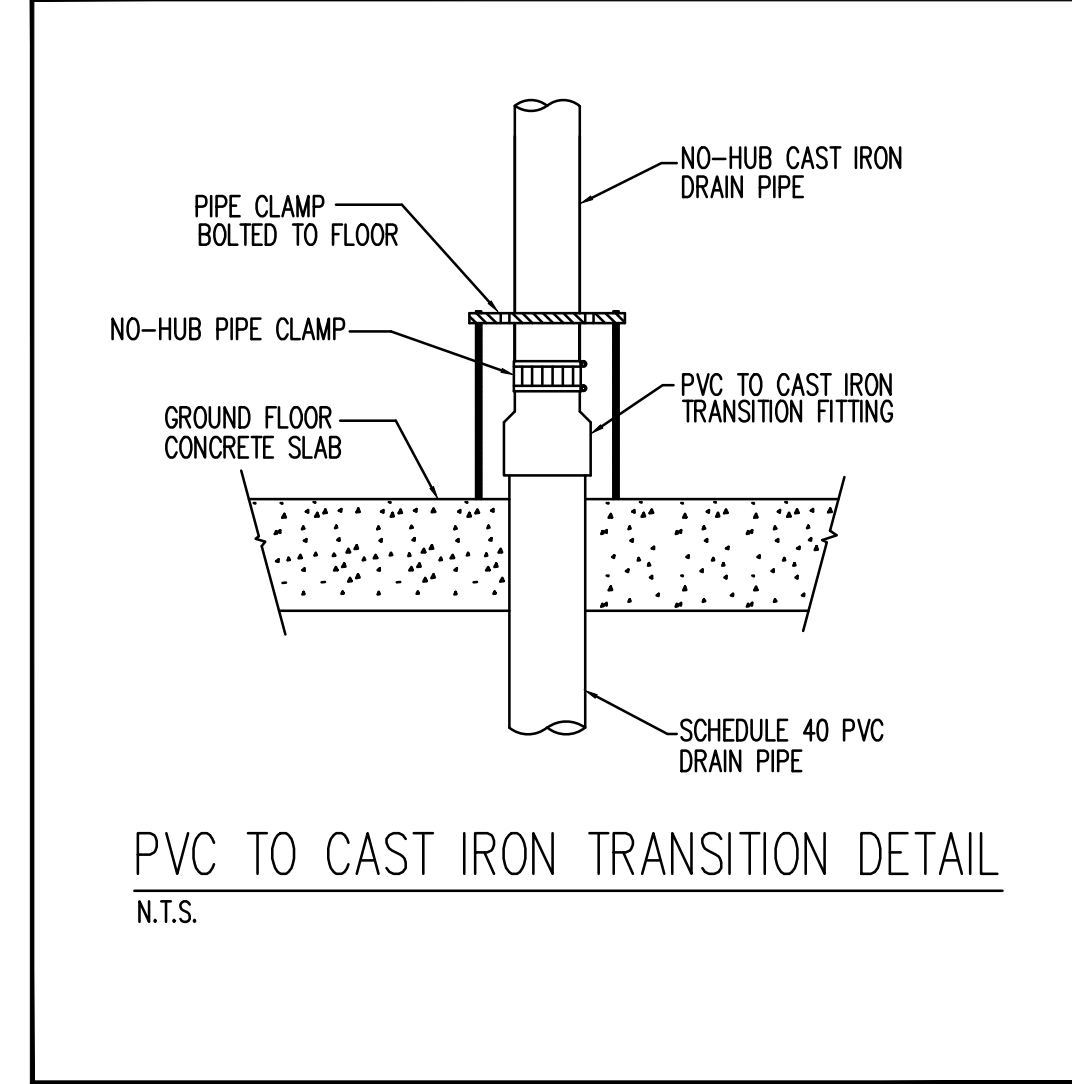
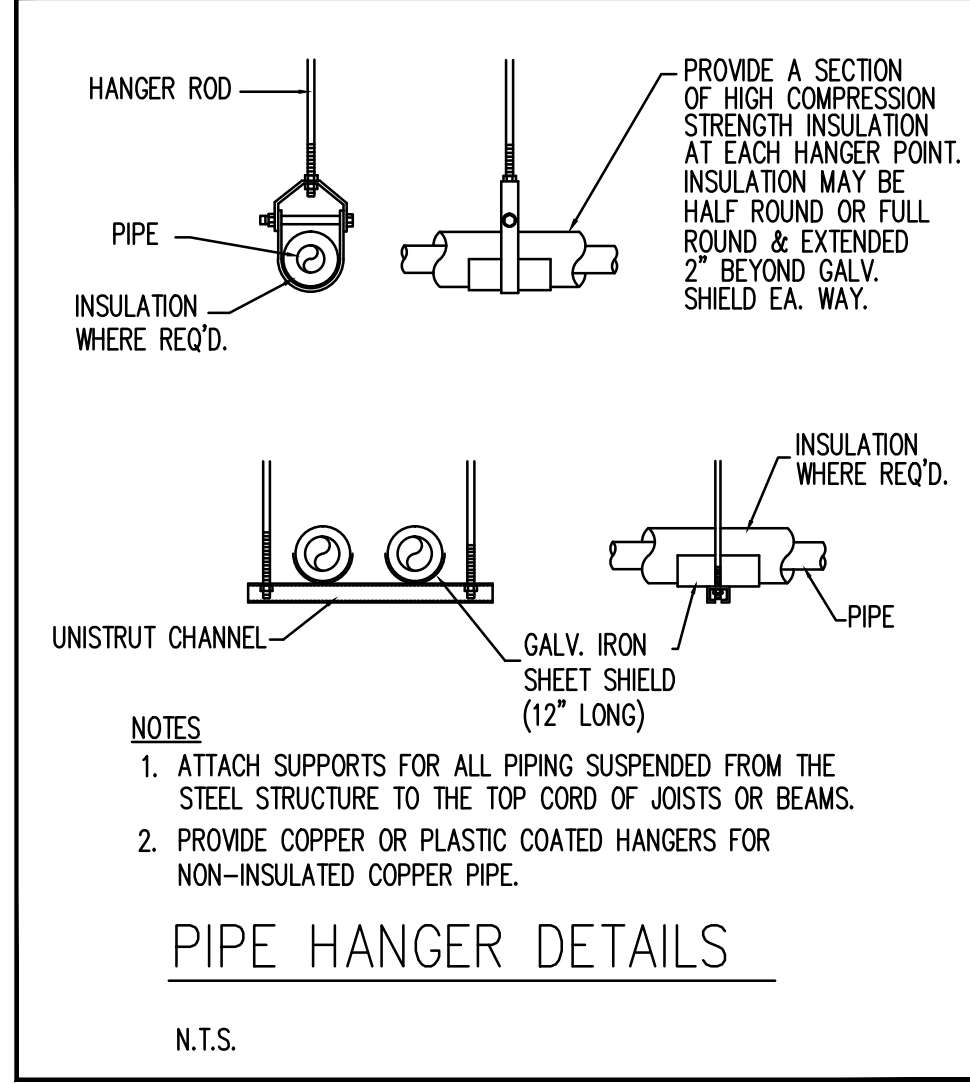


PLUMBING SYMBOLS LEGEND

— SAN —	SANITARY SEWER BELOW GRADE
— SAN —	SANITARY SEWER ABOVE GRADE
— ST —	STORM PIPING BELOW GRADE
— ST —	STORM PIPING ABOVE GRADE
— GW —	GREASE WASTE BELOW GRADE
— GW —	GREASE WASTE ABOVE GRADE
— CD —	CONDENSATE DRAIN LINE
— IW —	INDIRECT WASTE
— V —	VENT PIPING
— G —	NATURAL GAS PIPING
— D —	DOMESTIC HOT WATER PIPING
— D —	DOMESTIC HOT WATER RECIRCULATION PIPING
— D —	DOMESTIC COLD WATER PIPING
— U —	UNION
— T —	TEMPERATURE / PRESSURE RELIEF VALVE
— B —	BACKFLOW PREVENTOR
— G —	GATE VALVE
— C —	GAS COCK
— B —	BALL VALVE
— C —	CHECK VALVE
— O —	O.S.&Y. VALVE
— S —	VALVE SUPERVISORY SWITCH
— F —	FLOW SWITCH
— S —	SOLENOID VALVE
— G —	GAS PRESSURE REDUCING STATION
— R —	RISE IN PIPING
— D —	DROP IN PIPING
— V —	VALVE IN RISE
— P —	POINT OF CONNECTION
— H —	HOSE BIBB
— F.C.O. —	FLOOR CLEANOUT
— G.C.O. —	CLEANOUT TO GRADE
— W.C.O. —	WALL CLEANOUT
— F.D. —	FLOOR DRAIN
— F.S. —	FLOOR SINK
— T.D. —	TRENCH DRAIN



PLUMBING PIPING AND MATERIALS

- ALL SANITARY WASTE PIPING BELOW THE SLAB AND WASTE AND VENT PIPING ABOVE THE SLAB SHALL BE SCHEDULE 40 PVC PIPE AND FITTINGS WITH SOLVENT WELDED JOINTS.
- DOMESTIC WATER PIPING BELOW SLAB SHALL BE TYPE "K" SOFT COPPER WITH NO JOINTS BELOW SLAB. ENCASE IN POLYETHYLENE TUBE.
- DOMESTIC WATER PIPING ABOVE SLAB SHALL BE TYPE "L" HARD DRAWN COPPER WATER TUBE WITH SOLDER JOINTS.

PLUMBING GENERAL NOTES

- THE SCOPE OF THE WORK SHALL CONSIST OF ALL PLUMBING SYSTEMS ON THE PLANS AND AS REQUIRED BY THE AUTHORITY HAVING JURISDICTION.
- CONTRACTOR SHALL COMPLY WITH ALL NATIONAL, STATE, CITY AND FEDERAL CODES AND AUTHORITIES HAVING JURISDICTION. CONTRACTOR IS RESPONSIBLE FOR ALL FEES AND PERMITS REQUIRED.
- CONTRACTOR SHALL COORDINATE WITH EXISTING STRUCTURAL CONDITIONS AT THE SITE AND THE PROPOSED PARTITIONS AND MEMBERS FOR PROPER CLEARANCES.
- DO NOT SCALE PLUMBING DRAWINGS. REFER TO DIMENSIONED ARCHITECTURAL DRAWINGS FOR EXACT LOCATIONS OF FIXTURES, EQUIPMENT, ETC.

ALL PIPE, PIPE FITTINGS, FIXTURES, MATERIAL AND DEVICES USED IN THE PLUMBING SYSTEM SHALL BE LISTED OR LABELED (THIRD PARTY CERTIFIED) BY A LISTING AGENCY (ACCREDITED CONFORMITY ASSESSMENT BODY) AND TO CONFORM TO APPROVED APPLICABLE RECOGNIZED STANDARDS REFERENCED IN THE WOODLANDS PLUMBING CODE AND SHALL BE FREE FROM ALL DEFECTS.

INSULATE ALL WATER PIPING WITH 1-1/2" THICK, 3-1/2 LB./CU. FT. DENSITY FIBROUS GLASS WITH WHITE KRAFT BONDED TO ALUMINUM FOIL. FITTINGS SHALL BE INSULATED WITH PREMOLDED FIBERGLASS INSULATION. THE INTEGRITY OF THE VAPOR BARRIER SHALL BE MAINTAINED THROUGHOUT THE INSTALLATION. TAPE AND SEAL ALL JOINTS WITH VAPOR BARRIER TAPE.

PLUMBING FIXTURE SCHEDULE

MARK	DESCRIPTION	MINIMUM ROUGH IN SIZE				REMARKS
		SAN.	VENT	C.W.	H.W.	
F.C.O.	FINISHED FLOOR CLEANOUT	4"	—	—	—	FLOOR CLEANOUT, GENERAL USE, FINISHED AREAS. JAY R. SMITH 4020 SERIES CAST IRON BODY WITH ROUND ADJUSTABLE NICKEL BRONZE COVER, GASKET SEAL, ABS PLUG AND WITH CARPET MARKER WHERE REQUIRED.
W.C.O.	WALL CLEANOUT	4"	—	—	—	WALL CLEANOUT, GENERAL USE, FINISHED AREAS. JAY R. SMITH 4422 SERIES CAST IRON FURRILE WITH LEAD SEAL, STAINLESS STEEL COVER, GASKET SEAL, CAST IRON PLUG AND WITH CENTER SECURING SCREW.
C.O. TO GRADE	CLEANOUT TO GRADE	4"	—	—	—	CLEANOUT, GENERAL USE, EXTERIOR AREAS. JAY R. SMITH 4220 SERIES CAST IRON WITH GASKET SEAL, CAST IRON PLUG AND WITH HEAVY DUTY CAST IRON SCORATED COVER.
FS-1	FLOOR SINK	3"	2"	—	—	FLOOR SINK, GENERAL USE, FINISHED AREAS. ZURN Z-1902 CAST IRON BODY WITH ACID RESISTANT COATED INTERIOR. ALUMINUM DOME SECONDARY STRAINER, FLASHING FLANGE, TRAP PRIMER CONNECTION. 12"x12"x10" DEEP. PROVIDE TRAP PRIMER ON ALL FLOOR SINKS AND 1/2" TOP GRATE.
HB-1	NON-FREEZE HOSE BIBB	—	—	3/4"	—	NON-FREEZE HOSE BIBB, JAY R. SMITH 5509-QT, ALL BRONZE, NICKEL PLATED HYDRANT WITH INTEGRAL VACUUM BREAKER AND STAINLESS STEEL BOX WITH FULL 180 DEGREE LOCKING DOOR.

COPYRIGHT © GOULAS + ASSOCIATES, INC. ALL DRAWINGS, SPECIFICATIONS AND DESIGNS APPEARING HEREIN CONSTITUTE THE ORIGINAL AND UNPUBLISHED WORK OF THE ARCHITECT. DESIGNER AND HIS/HER ASSOCIATES, AND THE SAME MAY NOT BE REPRODUCED, COPIED, OR DISCLOSED WITHOUT THE EXPRESS WRITTEN CONSENT OF THE ARCHITECT/DESIGNER.