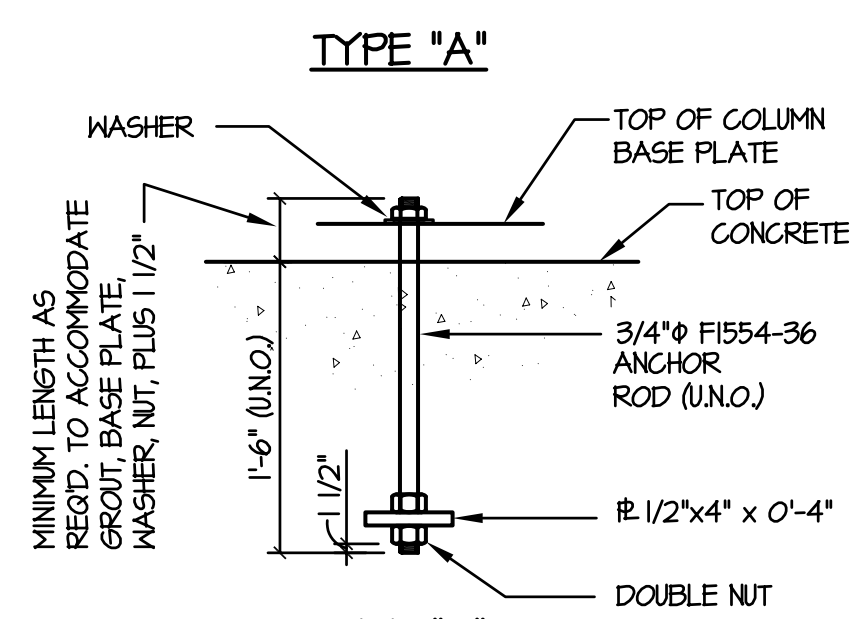
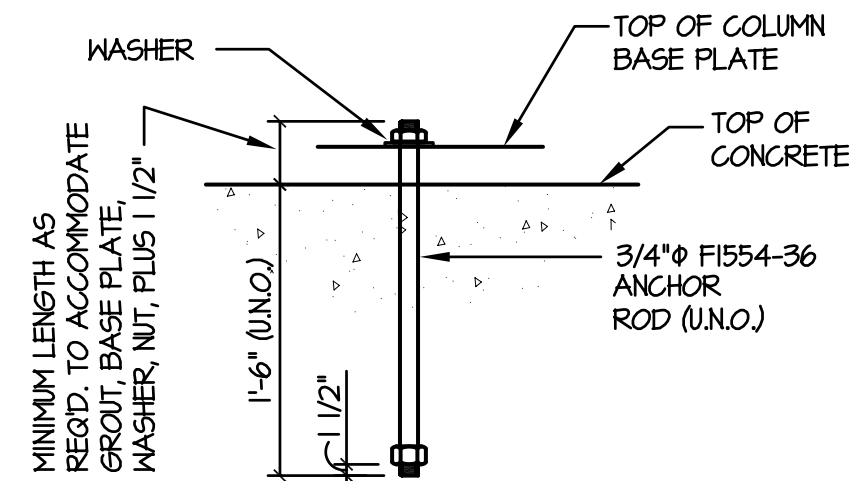


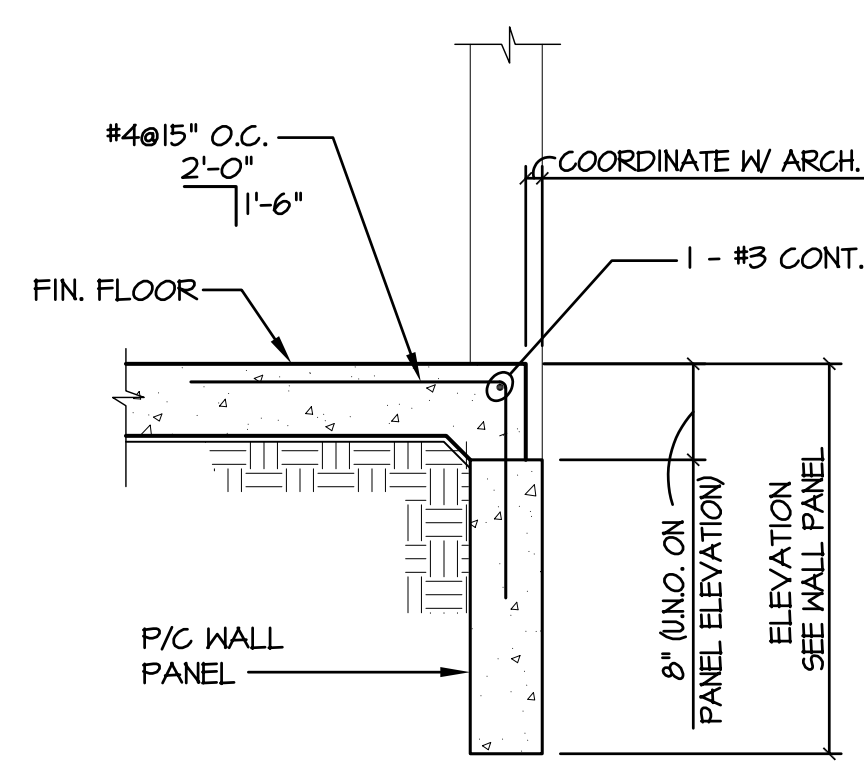
COPYRIGHT © GOULAS + ASSOCIATES, INC. ALL DRAWINGS, SPECIFICATIONS AND DESIGNS APPEARING HEREIN CONSTITUTE THE ORIGINAL AND UNPUBLISHED WORK OF THE ARCHITECT, DESIGNER AND HIS/HER ASSOCIATES, AND THE SAME MAY NOT BE DUPLICATED, USED OR DISCLOSED WITHOUT THE EXPRESS WRITTEN CONSENT OF THE ARCHITECT/DESIGNER.

NOTE:  
USE TYPE "B" ANCHOR RODS AT COLUMNS WITH DIAGONAL BRACES, MOMENT CONNECTIONS, & AT CANOPY COLUMNS



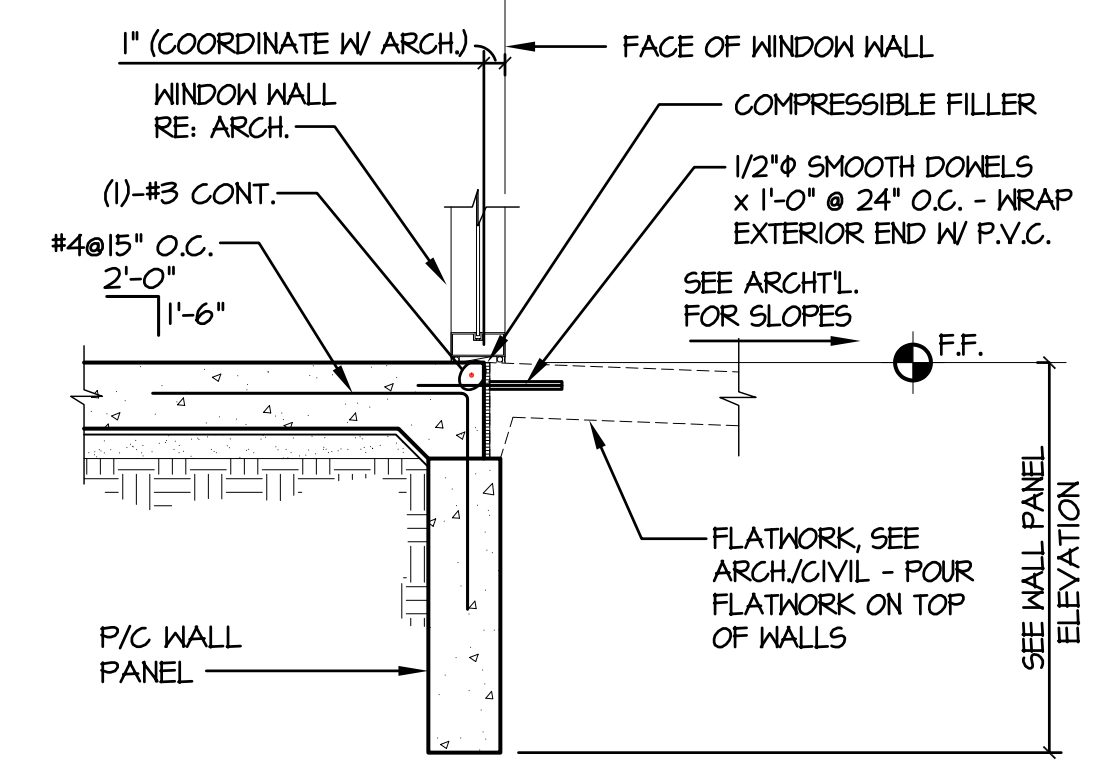
TYPE "A"  
TYPICAL DETAIL ANCHOR ROD

9 FOUNDATION DETAIL  
SCALE: NO SCALE



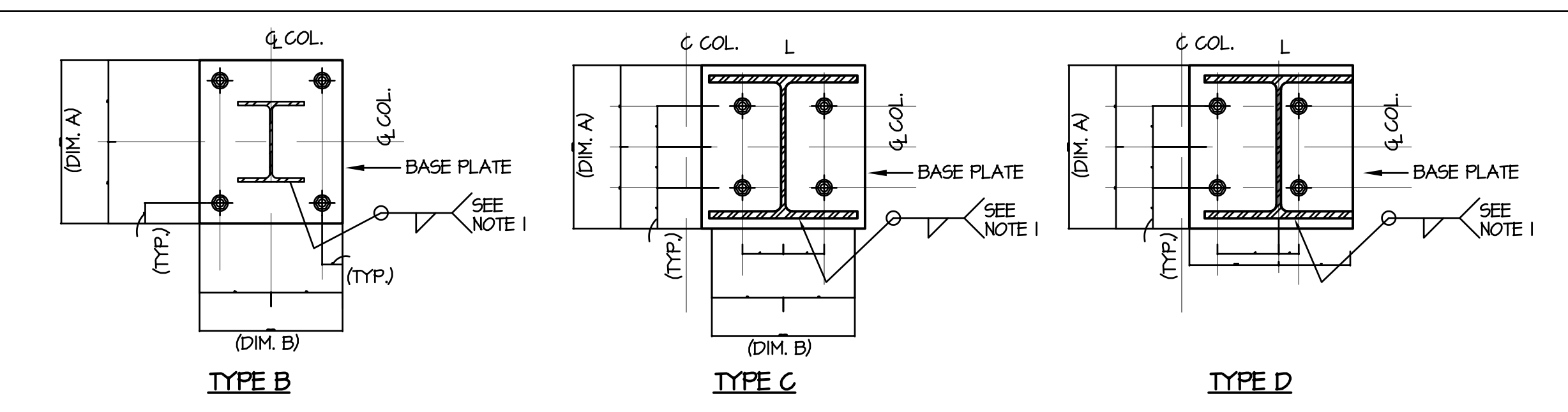
TYPICAL DETAIL SECTION THRU DOORS

6 FOUNDATION DETAIL  
SCALE: NO SCALE



TYPICAL DETAIL SECTION AT WINDOWS AT WALLS

3 FOUNDATION DETAIL  
SCALE: NO SCALE

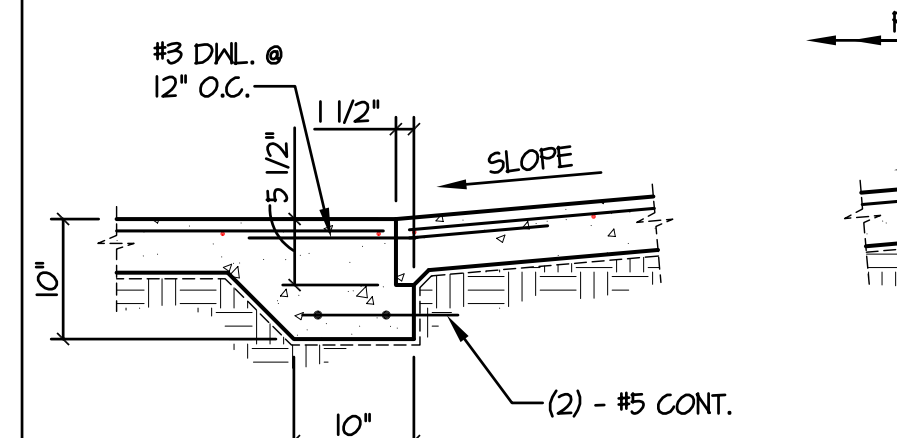


COLUMN	BASE PLATE	ANCHOR RODS	BASE PLATE TYPE
HSS $\phi$ x $\phi$	16" x 16" x 1 1/4"	(4)-1" TYPE B	TYPE A
W $\phi$ x 40	16" x 14" x 1 1/4"	(4)-1" TYPE B	TYPE B
W 14 x 90	16" x 16" x 1 1/4"	(4)-1" TYPE A	TYPE C
W 14 x 90	16" x 16" x 1 1/4"	(4)-1" TYPE A	TYPE D

- NOTES:
- Minimum fillet weld according to A.I.S.C. (1/4" min).
  - Use oversized holes for anchor rods according to AISC.
  - Washers shall be installed over oversized holes.
  - Contractor shall provide 1/8" thick template for anchor rod installation.

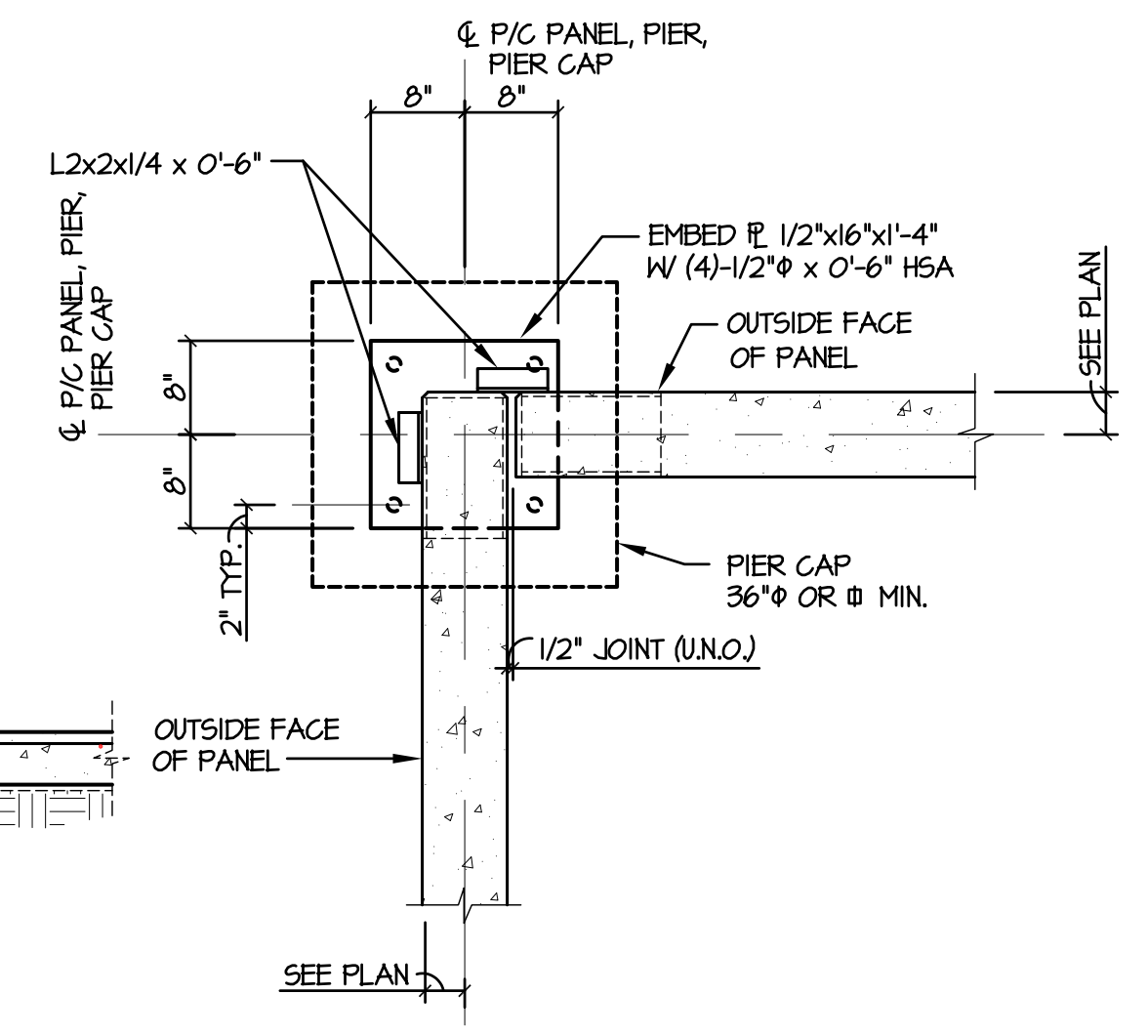
BASE PLATE SCHEDULE

8 FOUNDATION DETAIL  
SCALE: NO SCALE

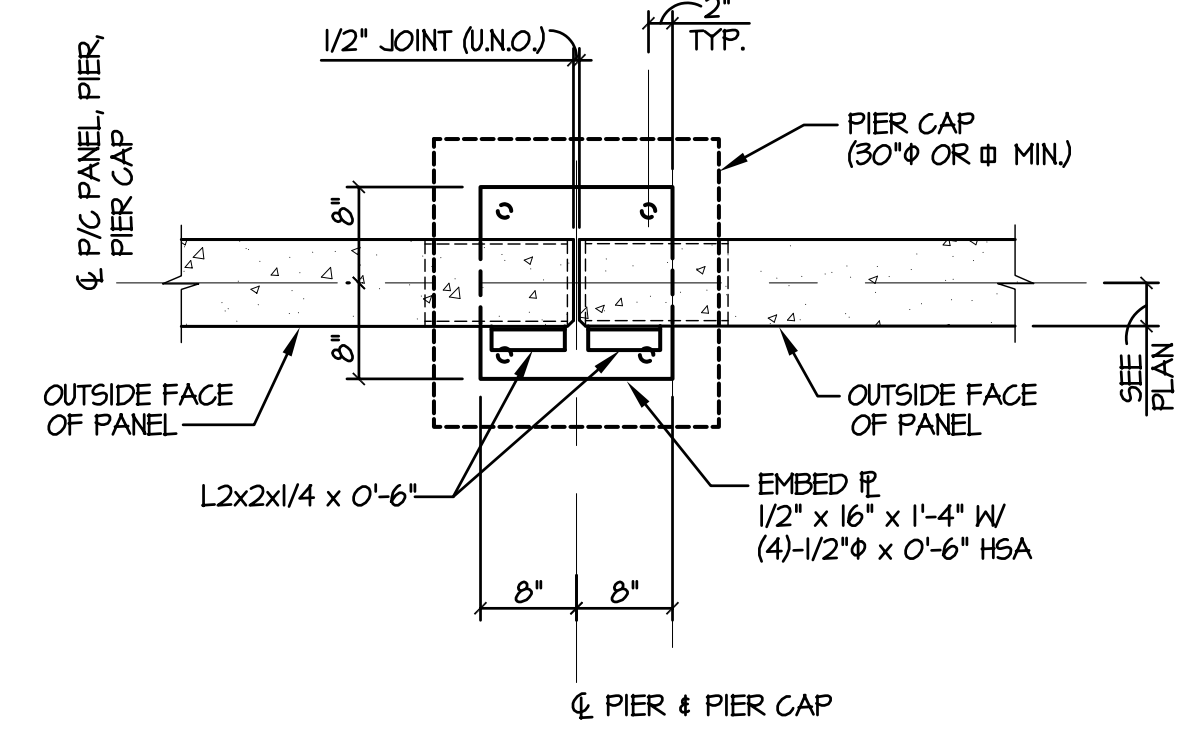


TYPICAL DETAIL AT RAMP

5 FOUNDATION DETAIL  
SCALE: NO SCALE



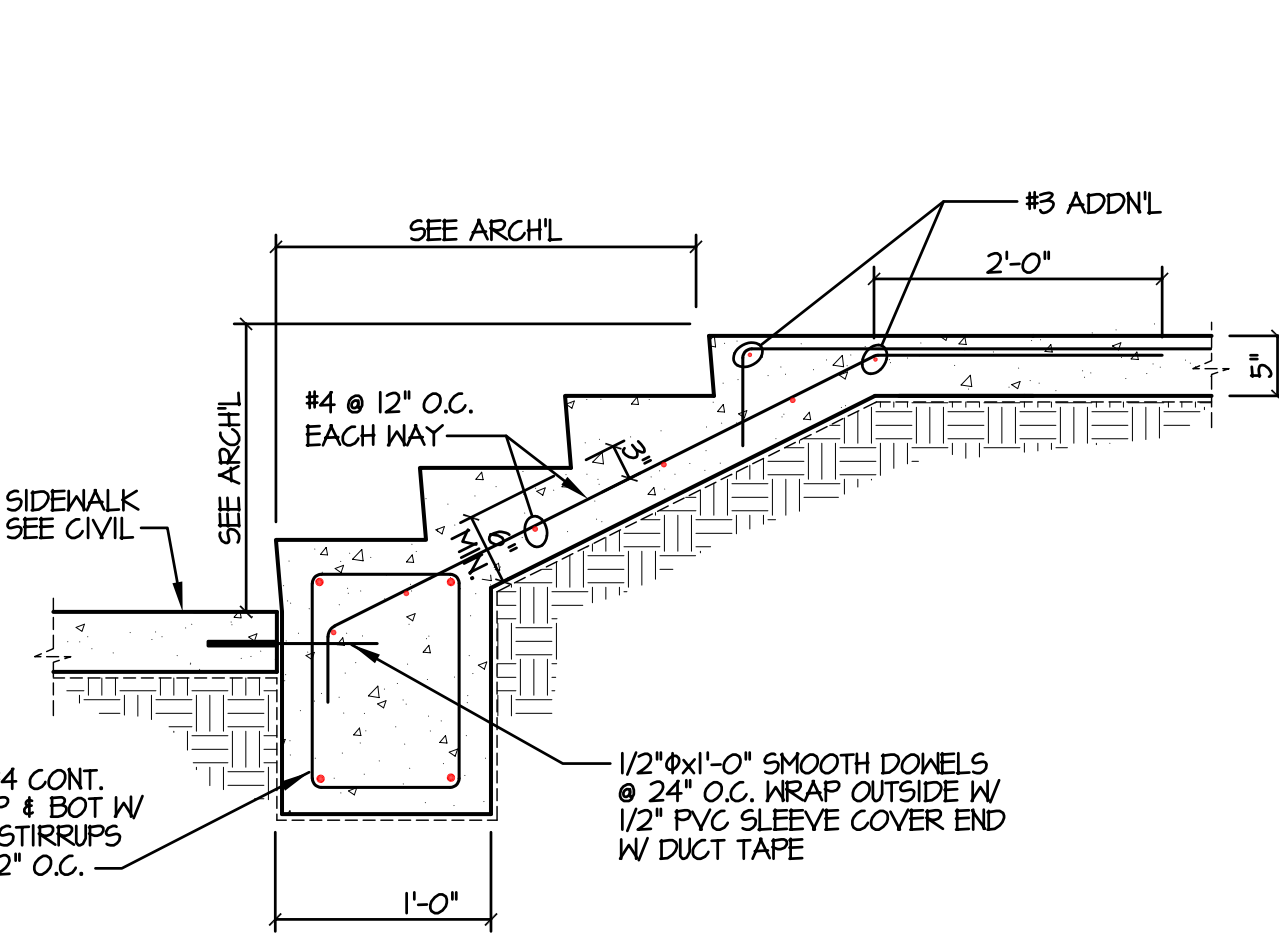
TYPICAL DETAIL AT CORNER



TYPICAL DETAIL AT INTERIOR

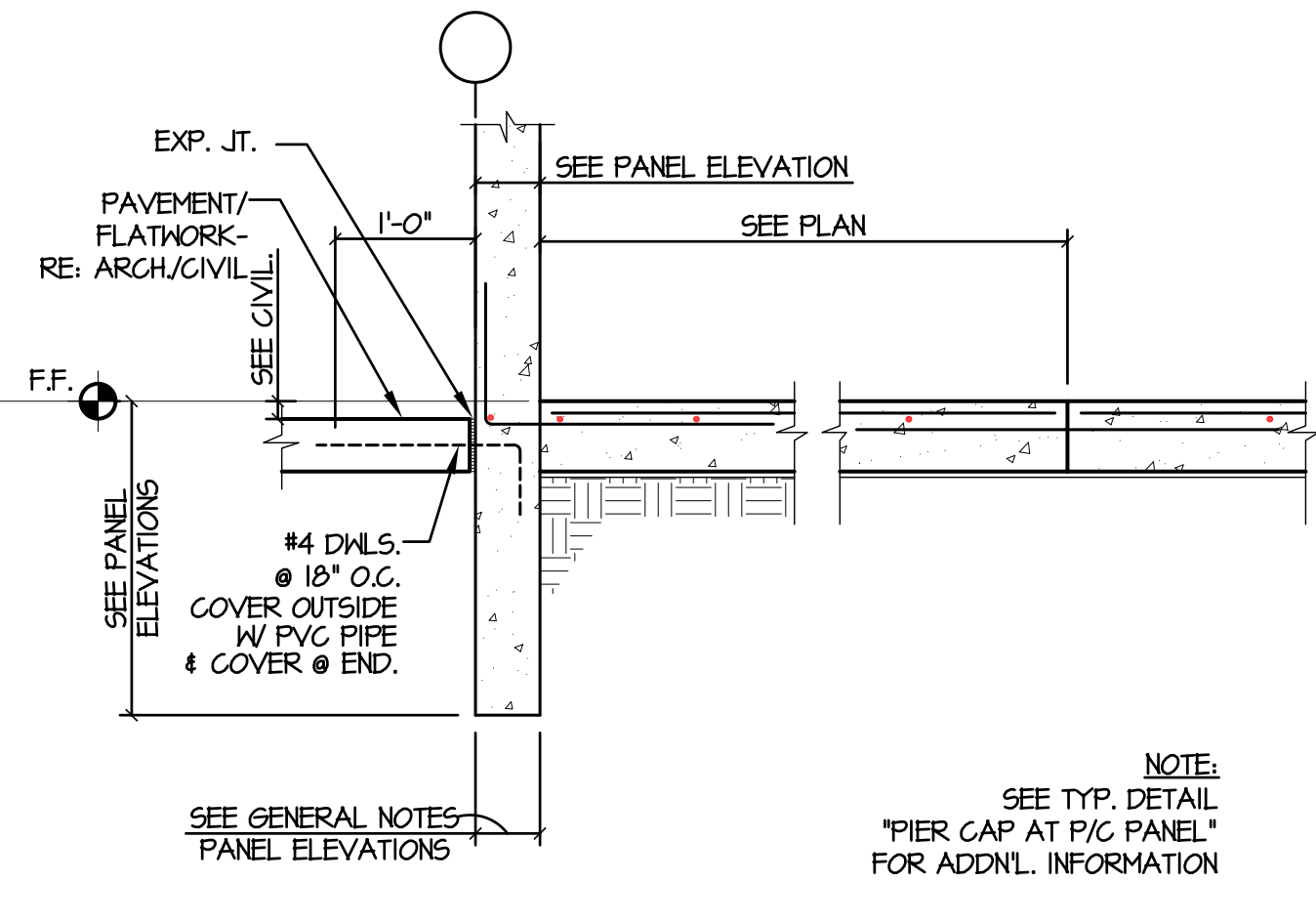
2 FOUNDATION DETAIL  
SCALE: NO SCALE

10 FOUNDATION DETAIL  
SCALE: NO SCALE



TYPICAL DETAIL EXTERIOR STEPS

10 FOUNDATION DETAIL  
SCALE: NO SCALE

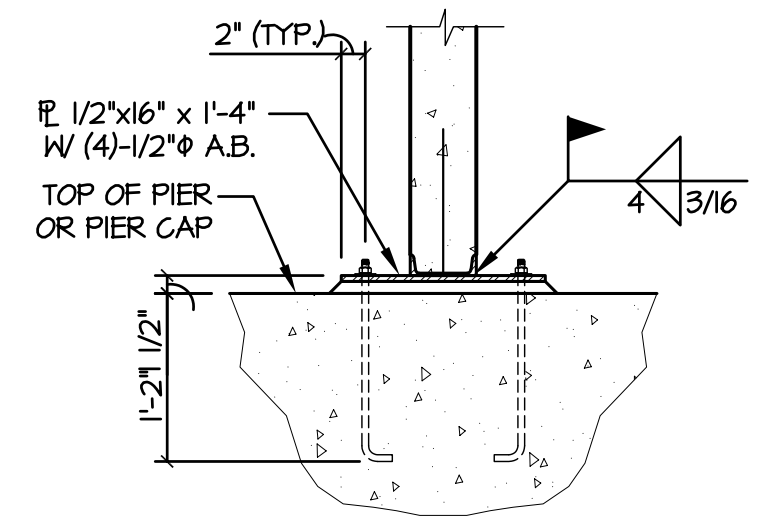


TYPICAL DETAIL FLATWORK AT PRECAST WALL PANEL

7 FOUNDATION DETAIL  
SCALE: NO SCALE

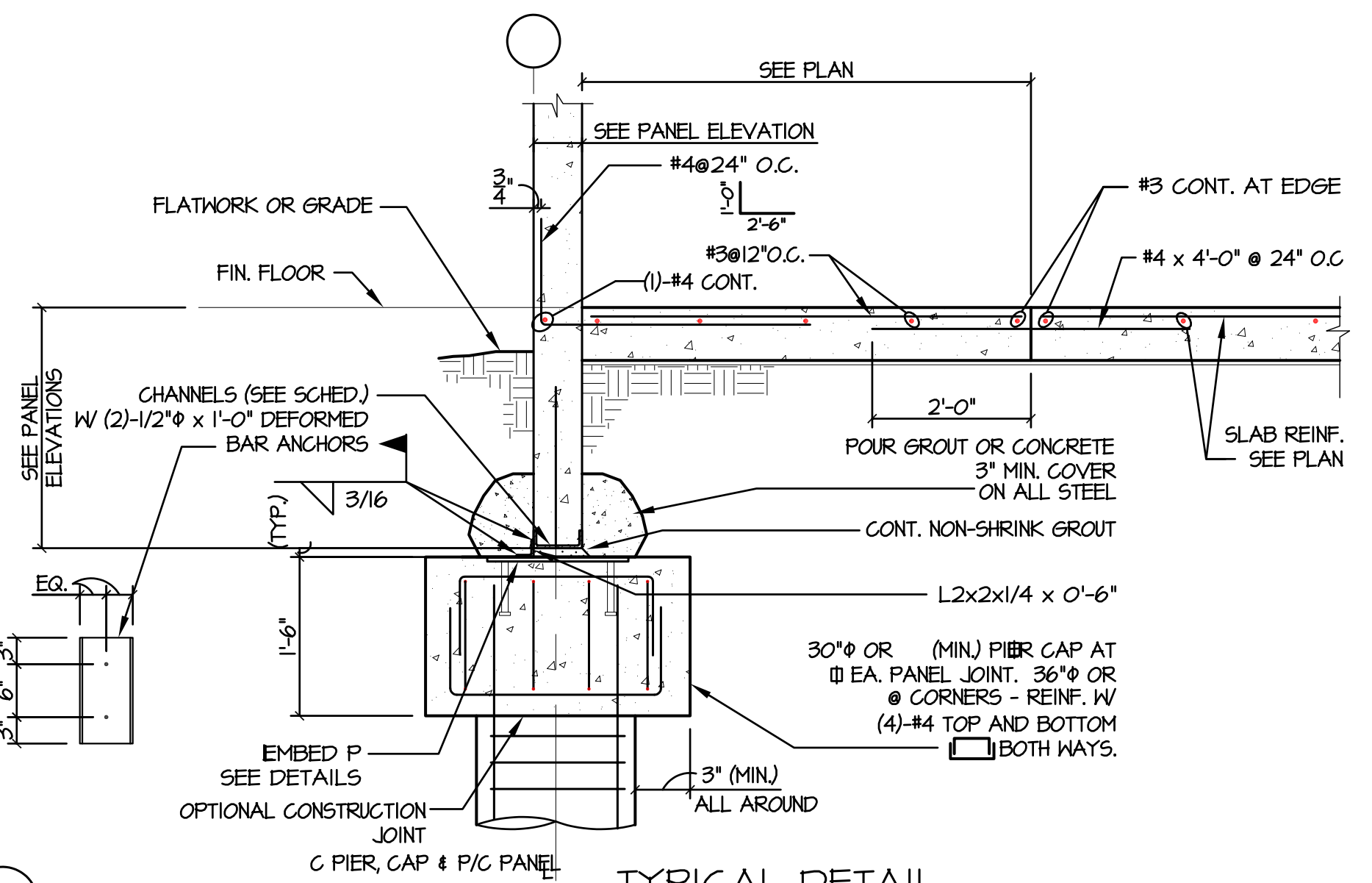
CHANNEL SIZE	PANEL THICKNESS
C5 x 9	5 1/2"
C6 x 10.5	6 1/4"
C6 x 10.5	6 3/4"
C7 x 9.8	7 1/4"
C8 x 11.5	8"
C9 x 13.4	9 1/4"
C10 x 15.3	11 1/4"

- NOTES:
- SEE GENERAL NOTES AND/OR PANEL ELEVATIONS FOR PANEL THICKNESS.
  - ALL PANEL THICKNESSES SHOWN MAY NOT BE USED ON THIS PROJECT.



ALTERNATE BASE DETAIL (A)

4 FOUNDATION DETAIL  
SCALE: NO SCALE



TYPICAL DETAIL PIER CAP AT PRECAST PANEL

1 FOUNDATION DETAIL  
SCALE: NO SCALE