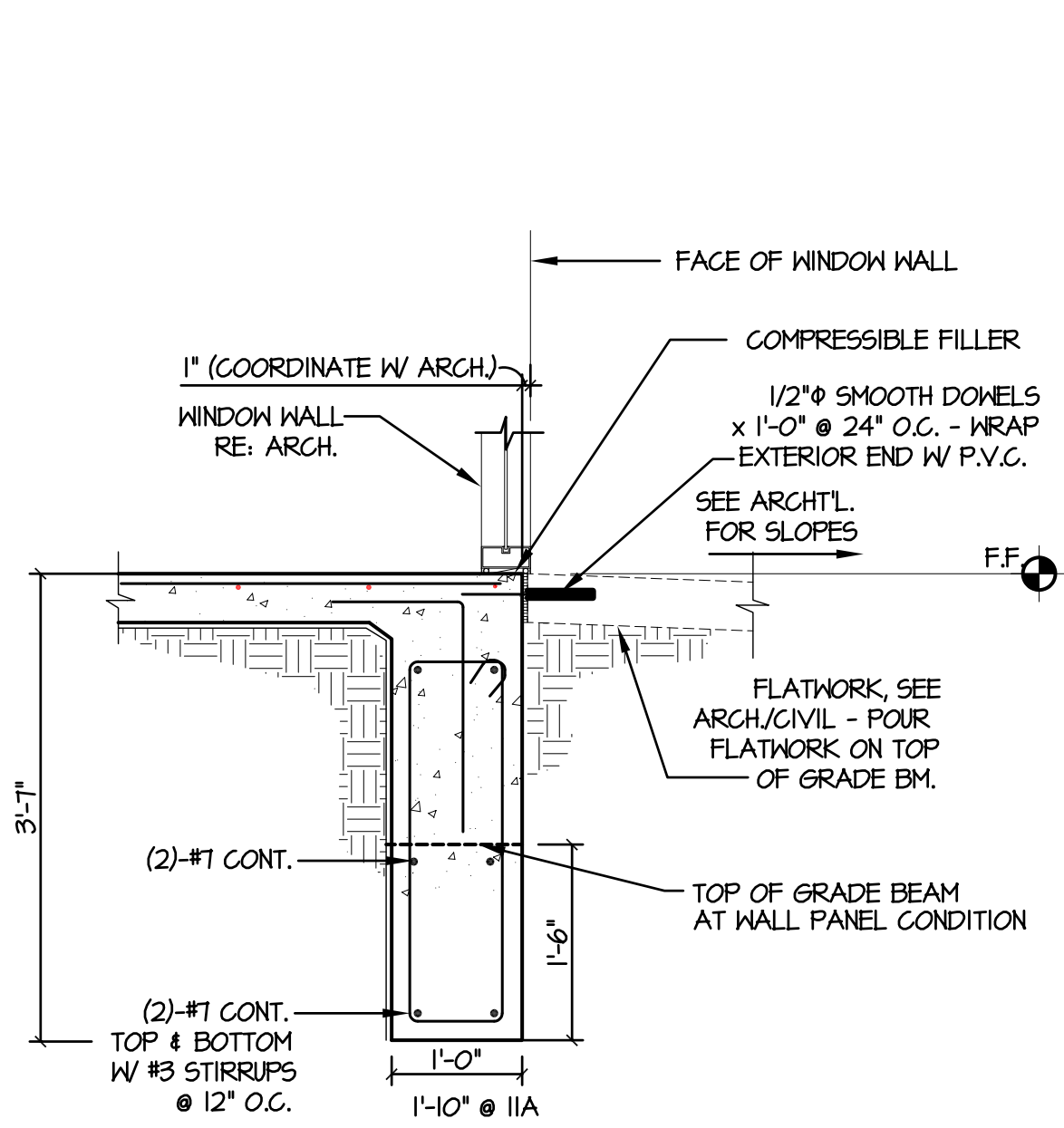
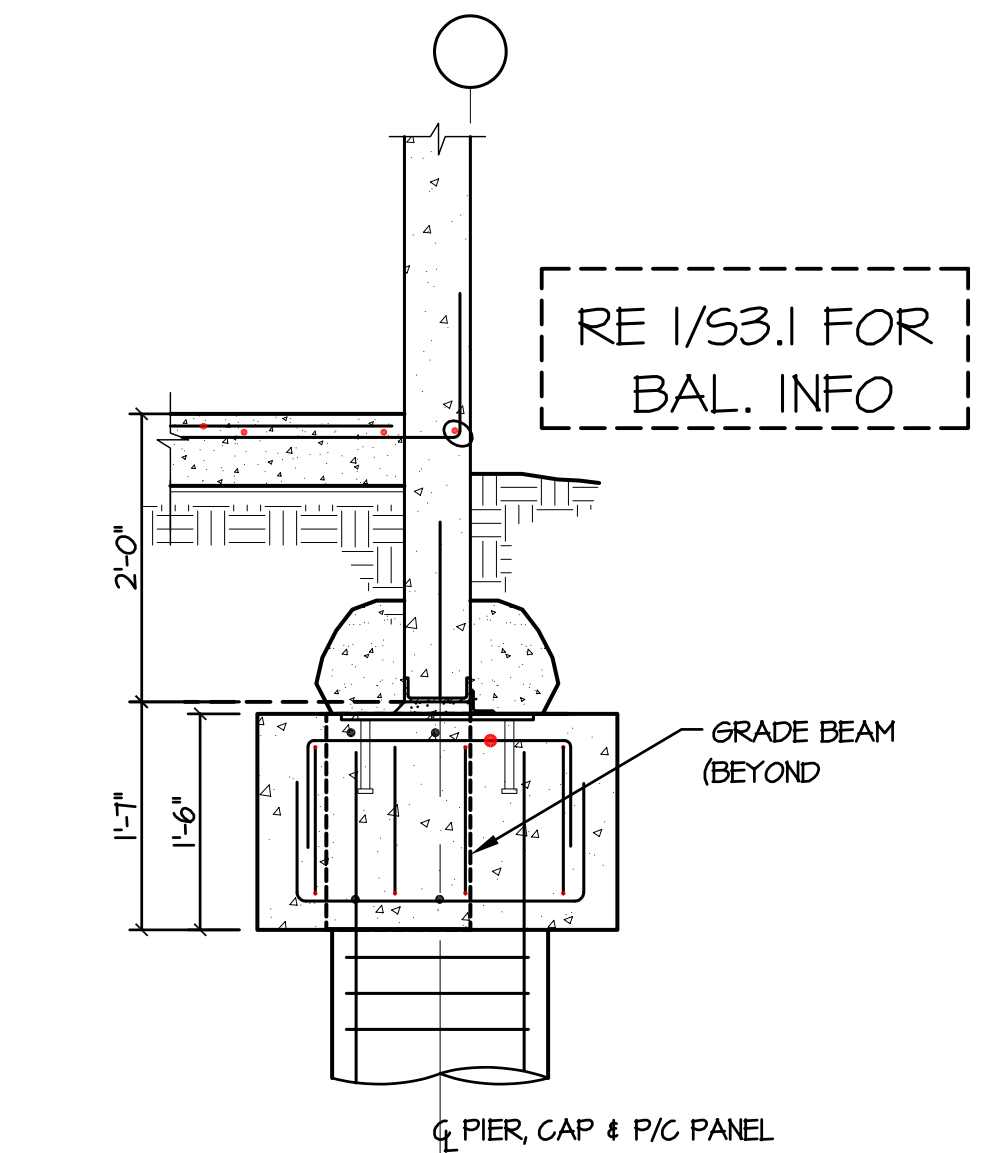


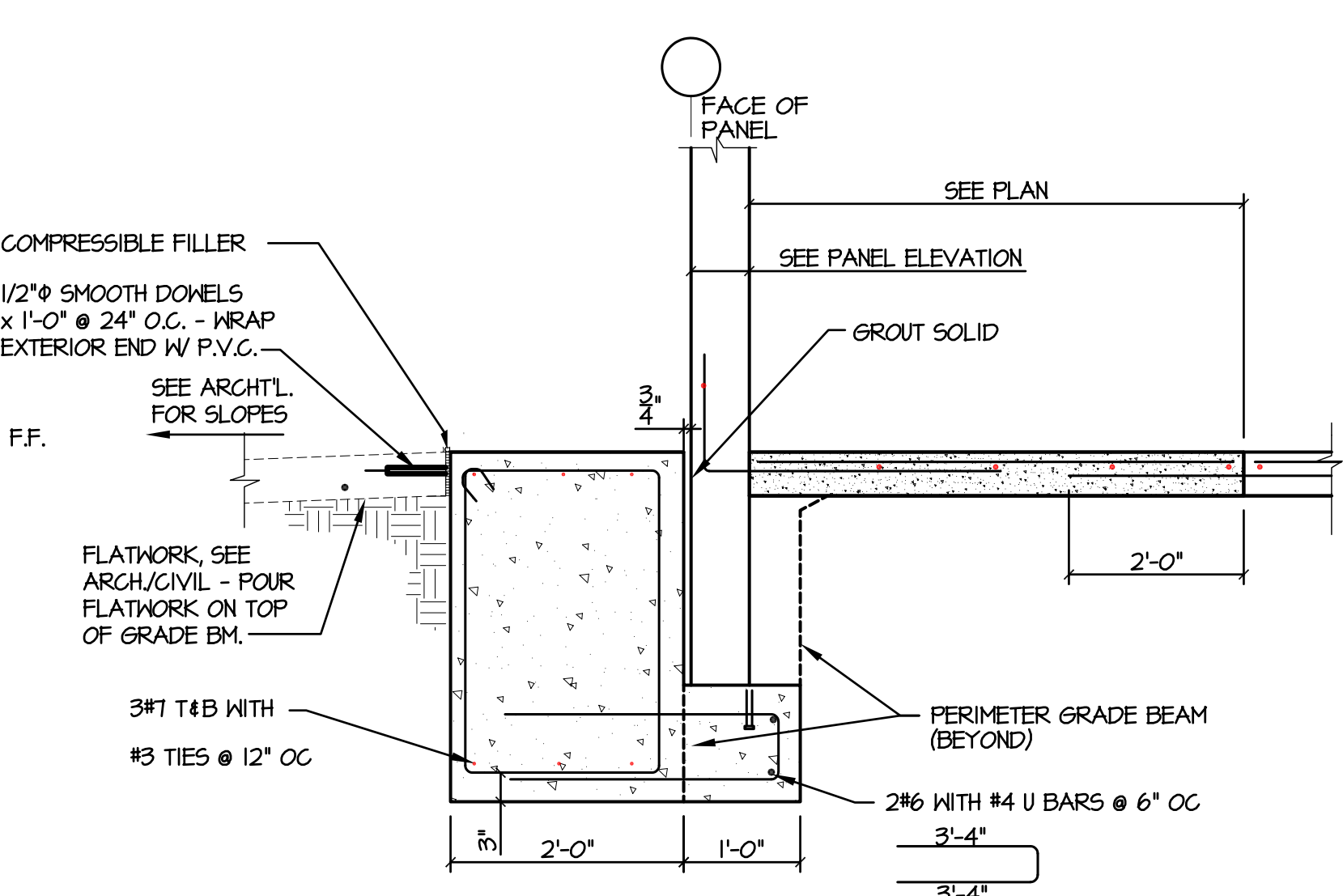
COPYRIGHT © GOULAS + ASSOCIATES, INC. ALL DRAWINGS, SPECIFICATIONS AND DESIGNS APPEARING HEREIN CONSTITUTE THE ORIGINAL AND UNPUBLISHED WORK OF THE ARCHITECT, DESIGNER AND HIS/HER ASSOCIATES, AND THE SAME MAY NOT BE DUPLICATED, USED OR DISCLOSED WITHOUT THE EXPRESS WRITTEN CONSENT OF THE ARCHITECT/DESIGNER.



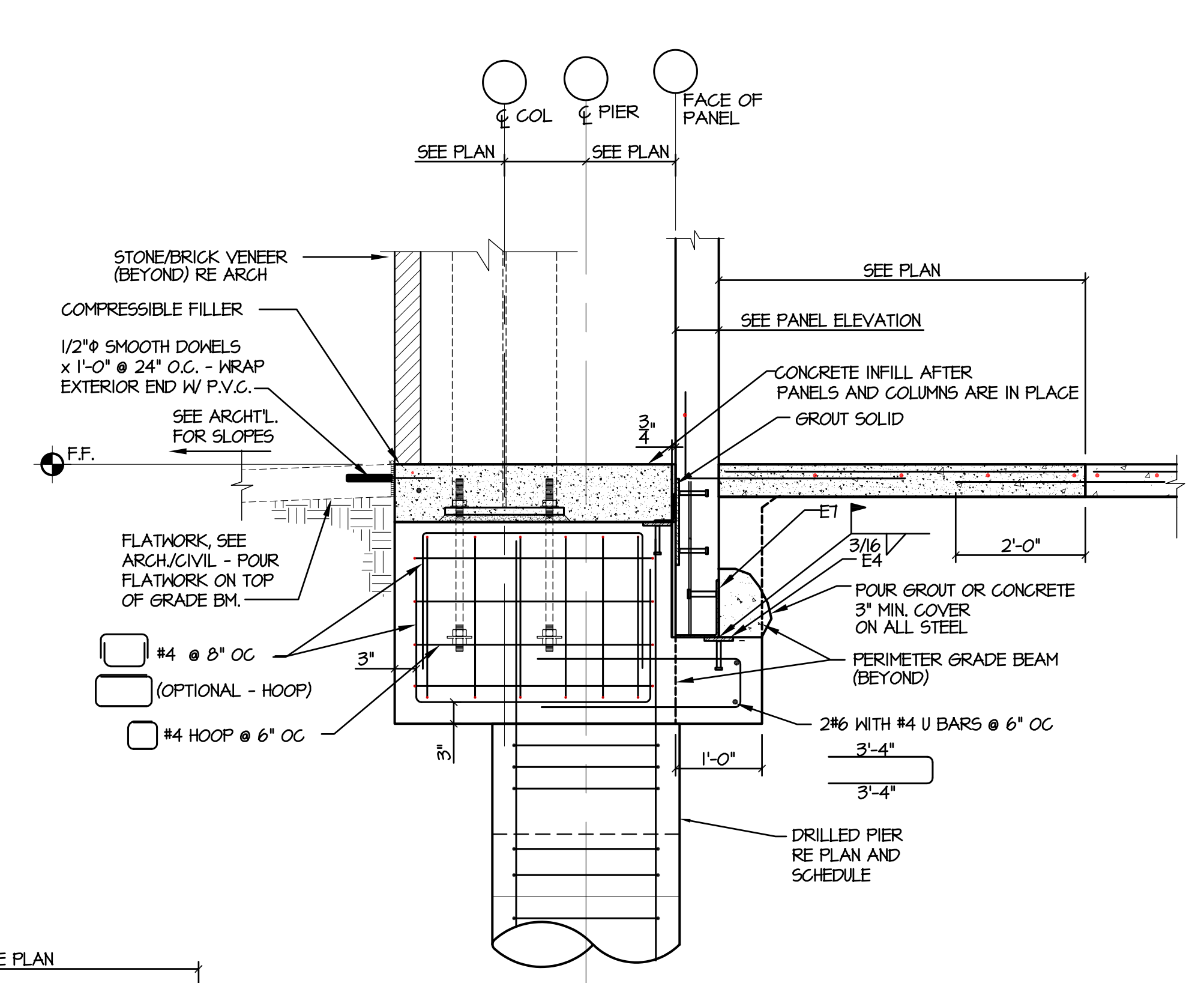
11/11A FOUNDATION DETAIL
SCALE: NO SCALE



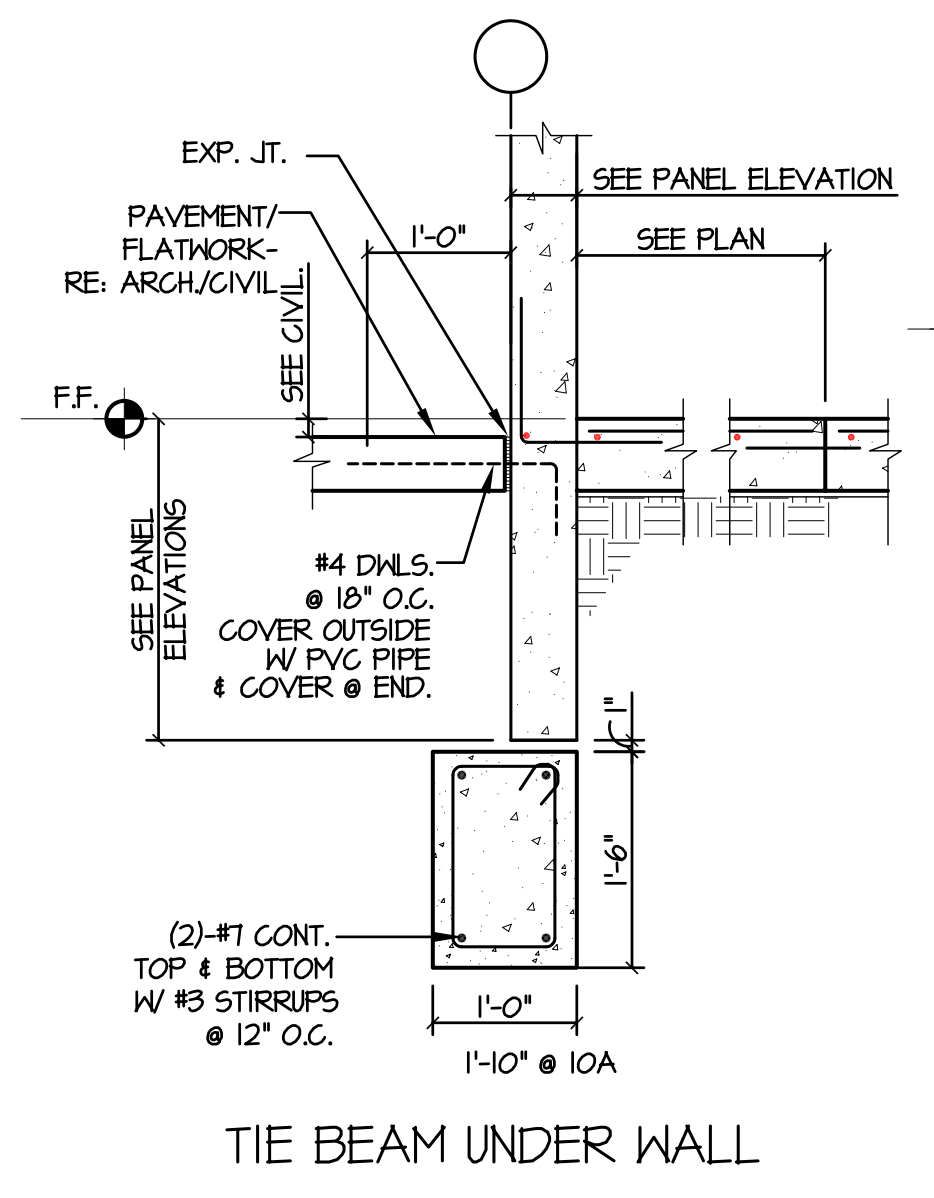
9 FOUNDATION DETAIL
SCALE: NO SCALE



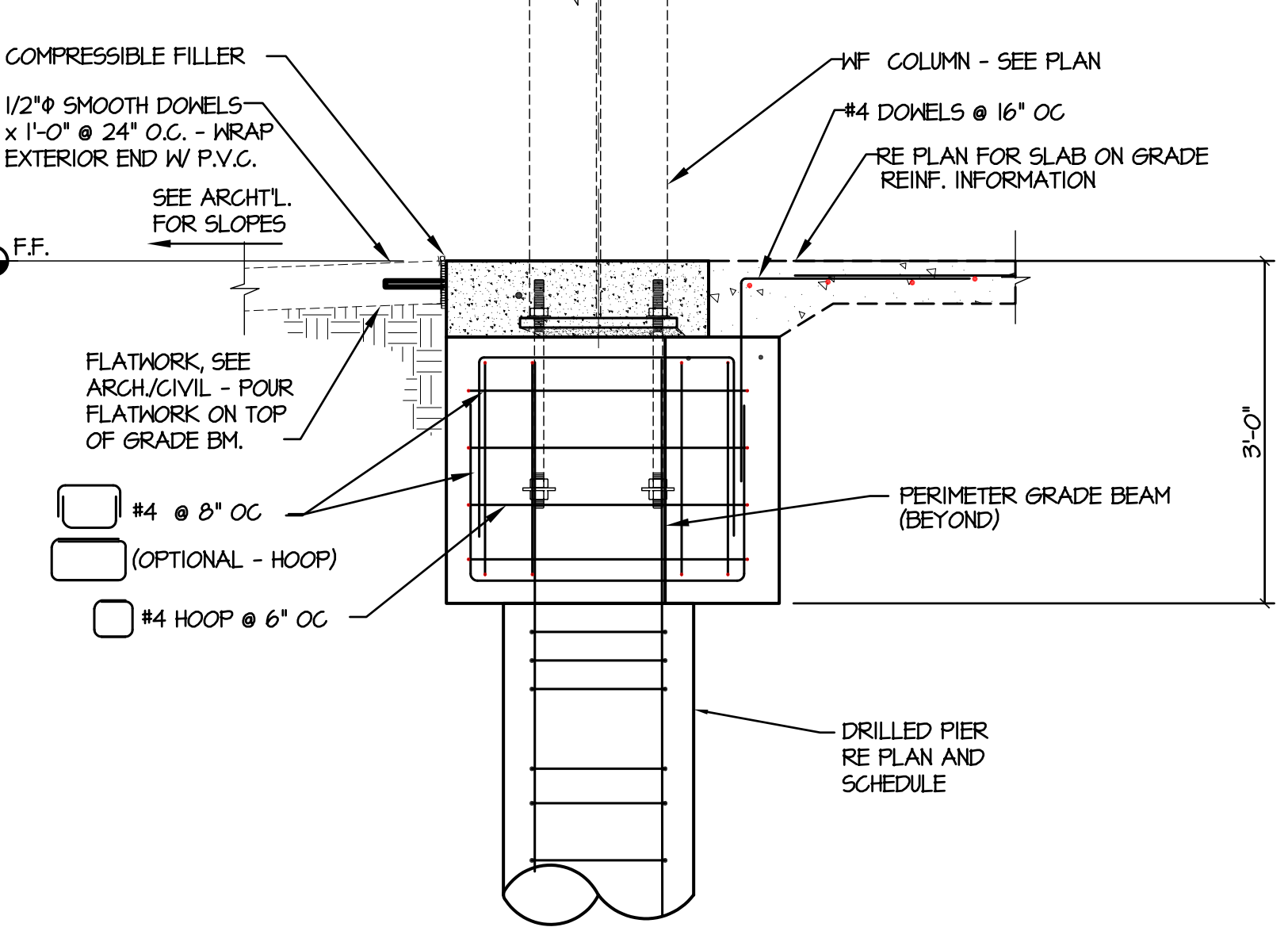
7 FOUNDATION DETAIL
SCALE: NO SCALE



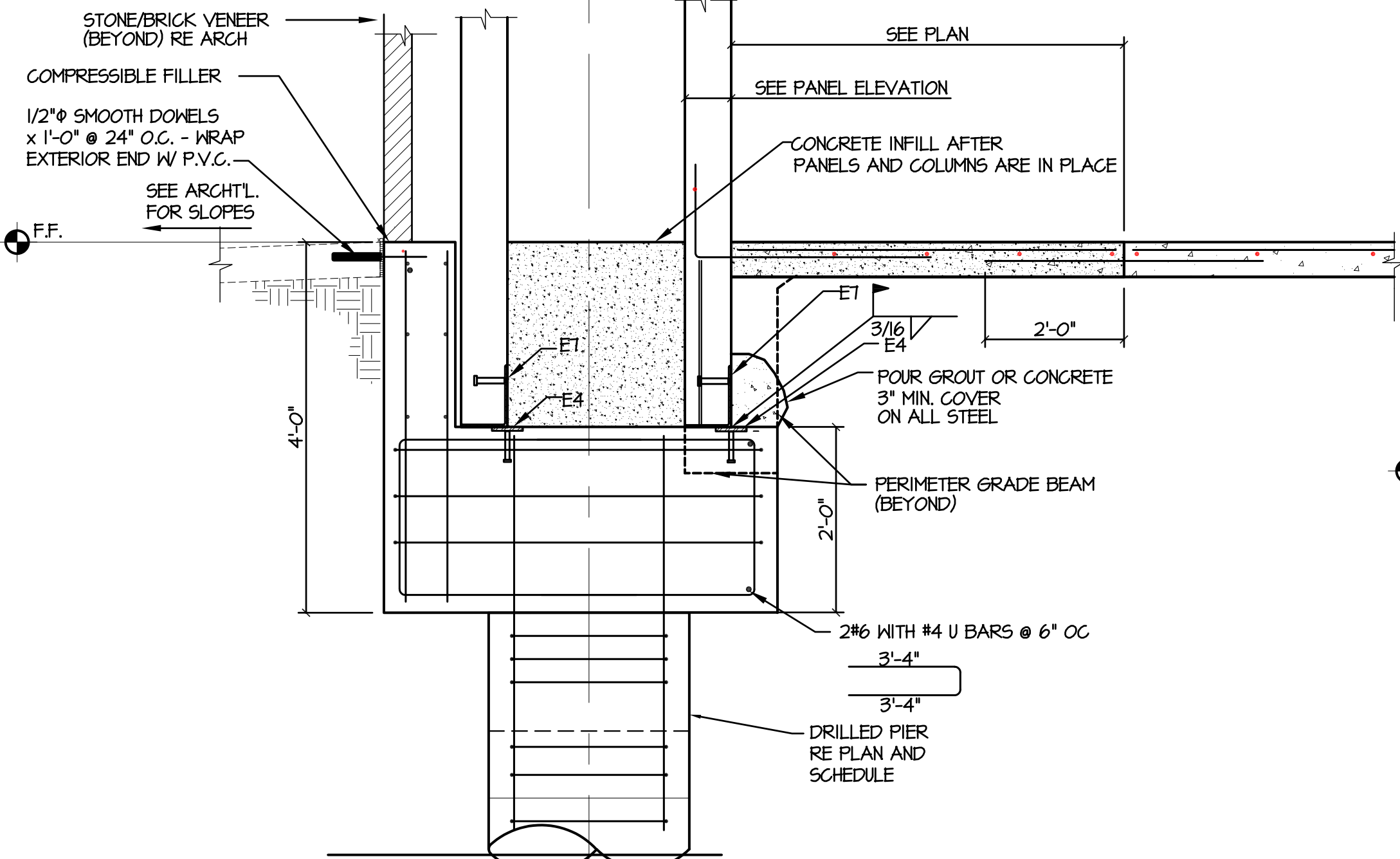
5 FOUNDATION DETAIL
SCALE: NO SCALE



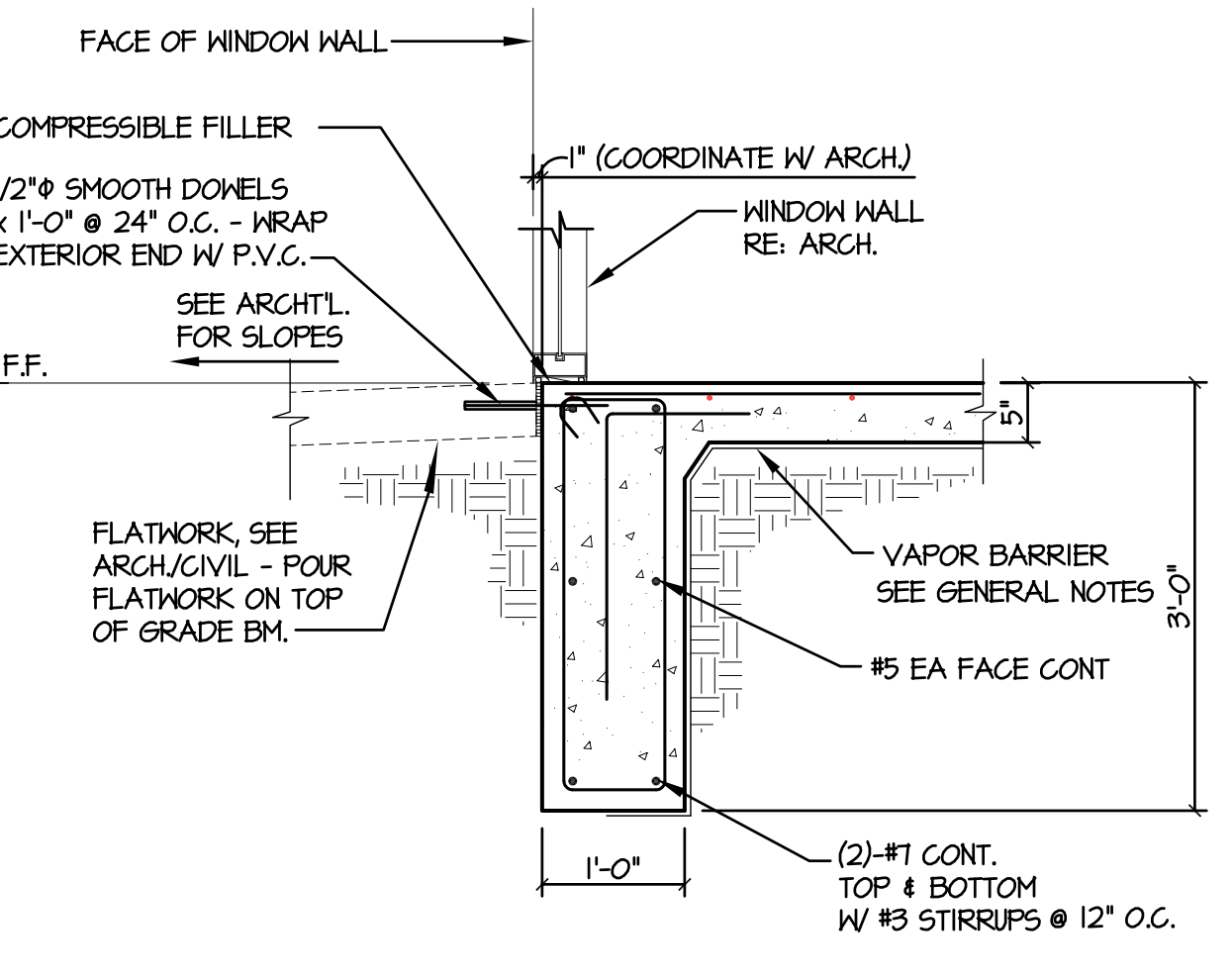
10/10A FOUNDATION DETAIL
SCALE: NO SCALE



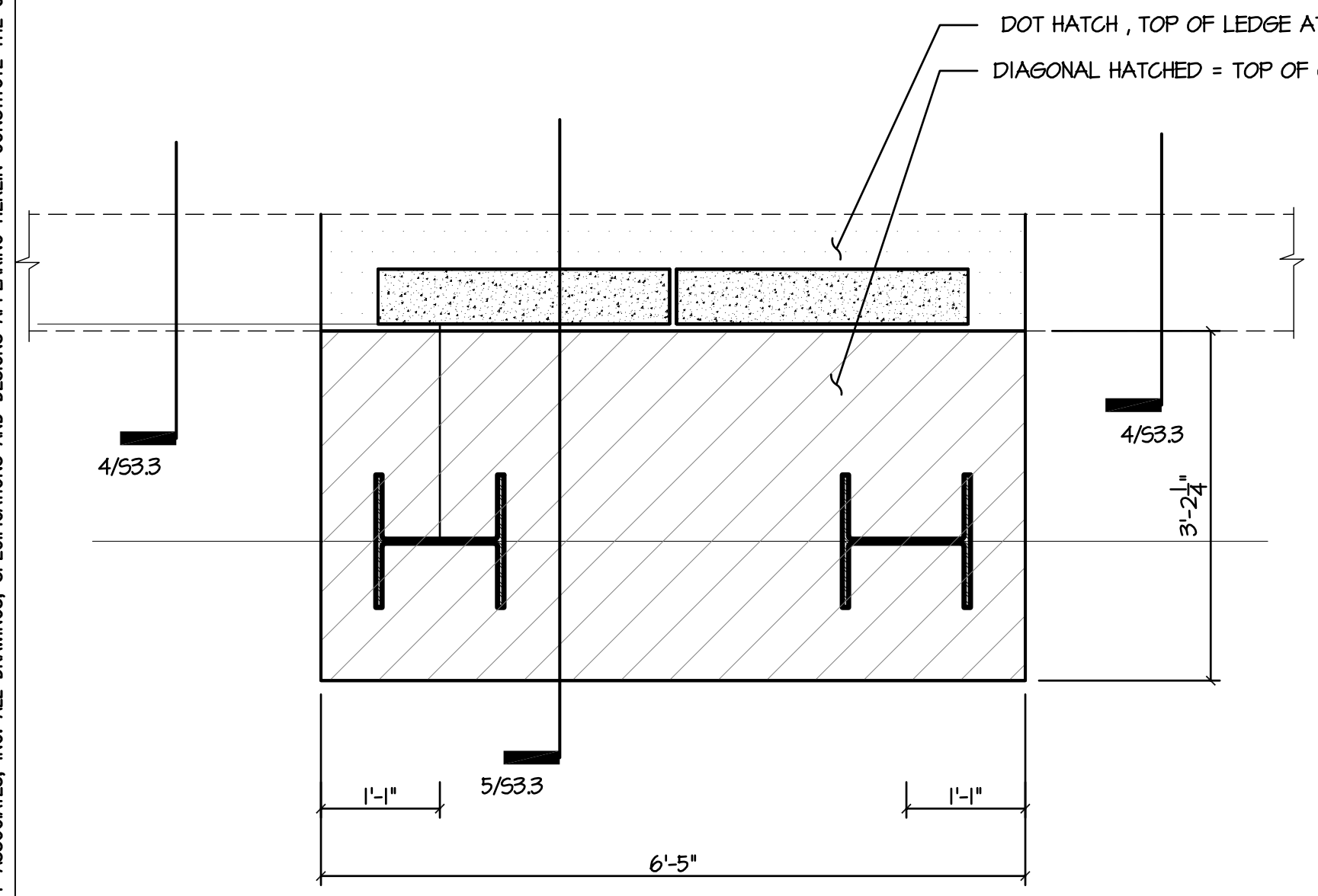
8 FOUNDATION DETAIL
SCALE: NO SCALE



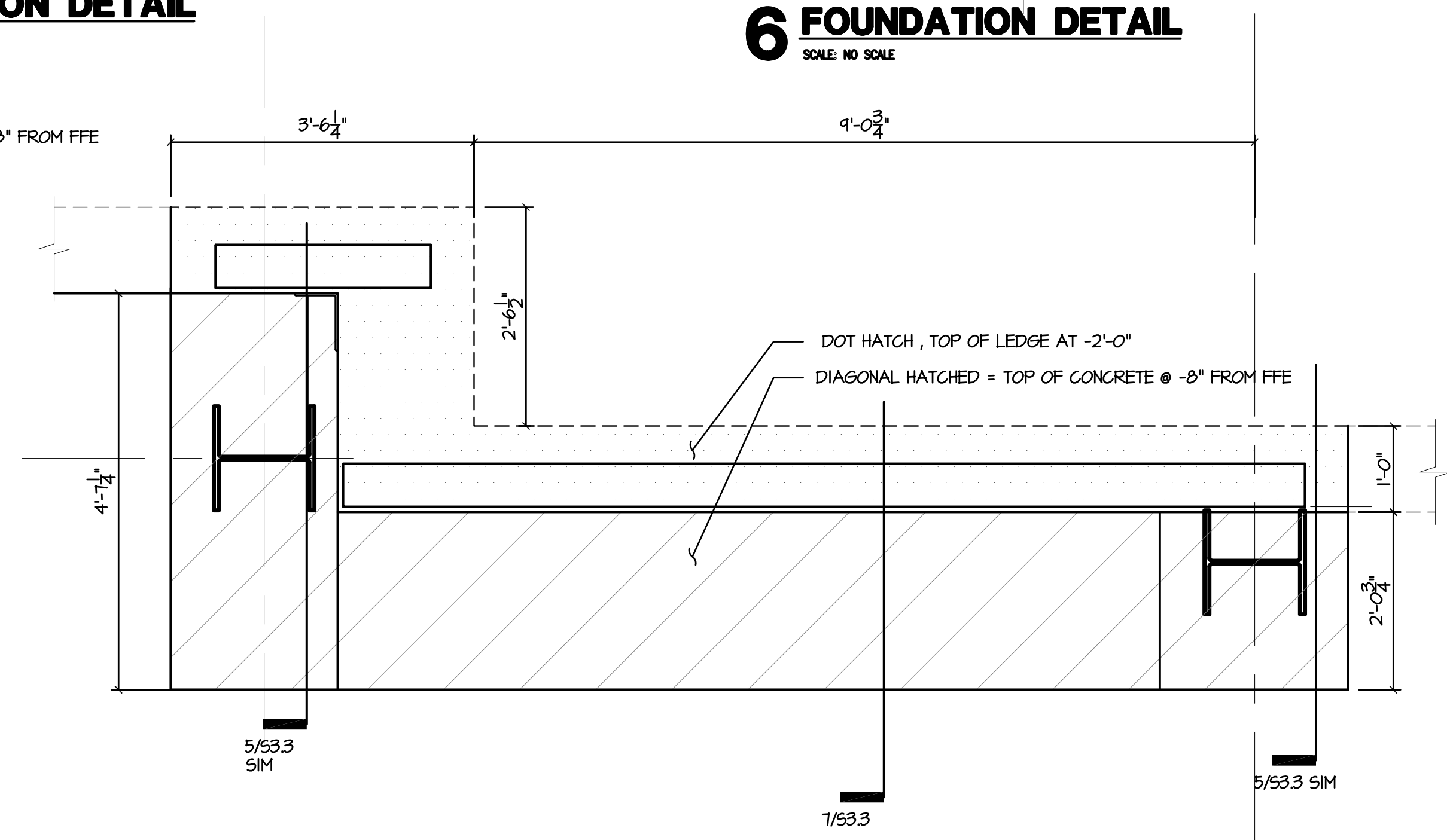
6 FOUNDATION DETAIL
SCALE: NO SCALE



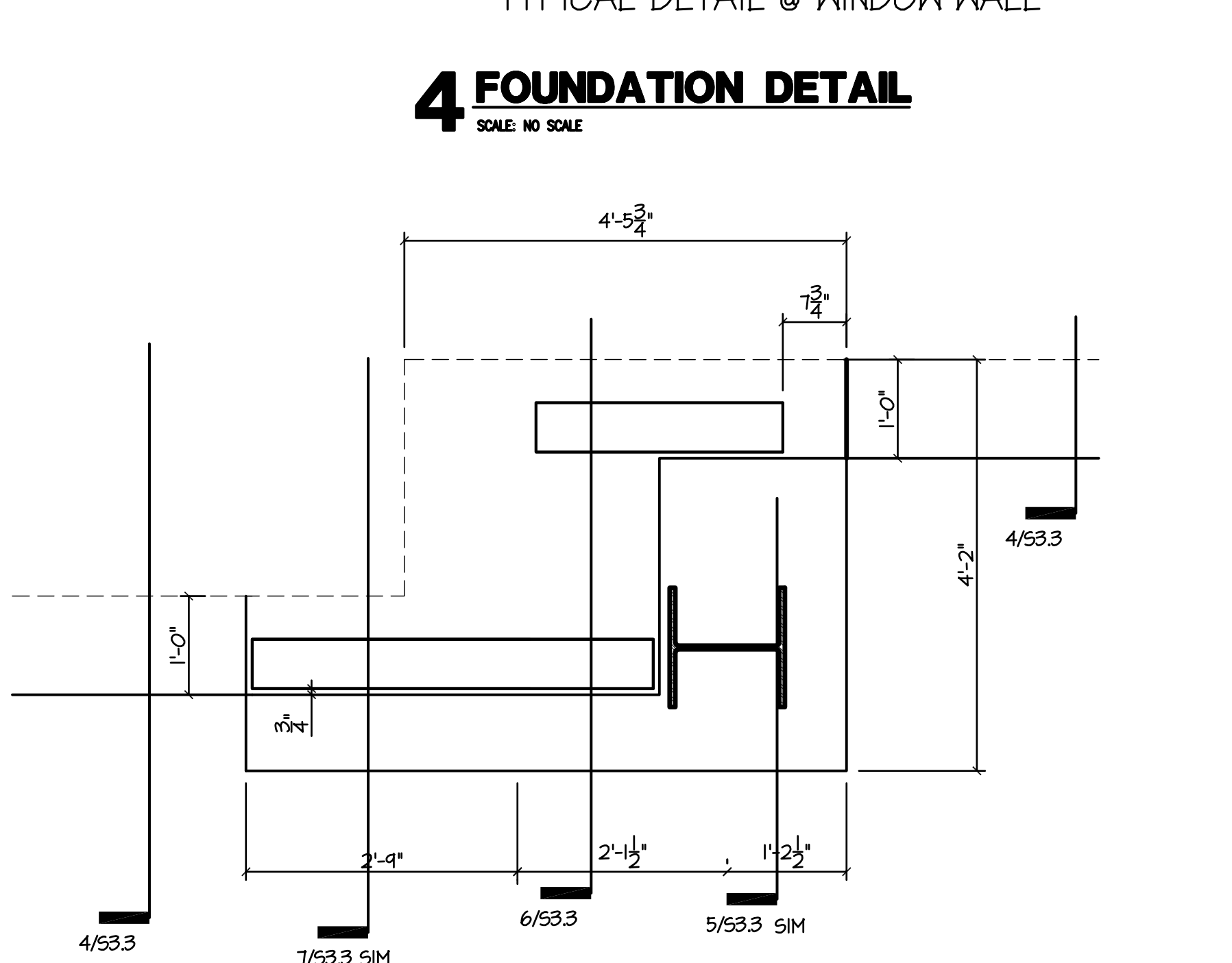
4 FOUNDATION DETAIL
SCALE: NO SCALE



3 FOUNDATION DETAIL
SCALE: NO SCALE



2 FOUNDATION DETAIL
SCALE: NO SCALE



1 FOUNDATION DETAIL
SCALE: NO SCALE