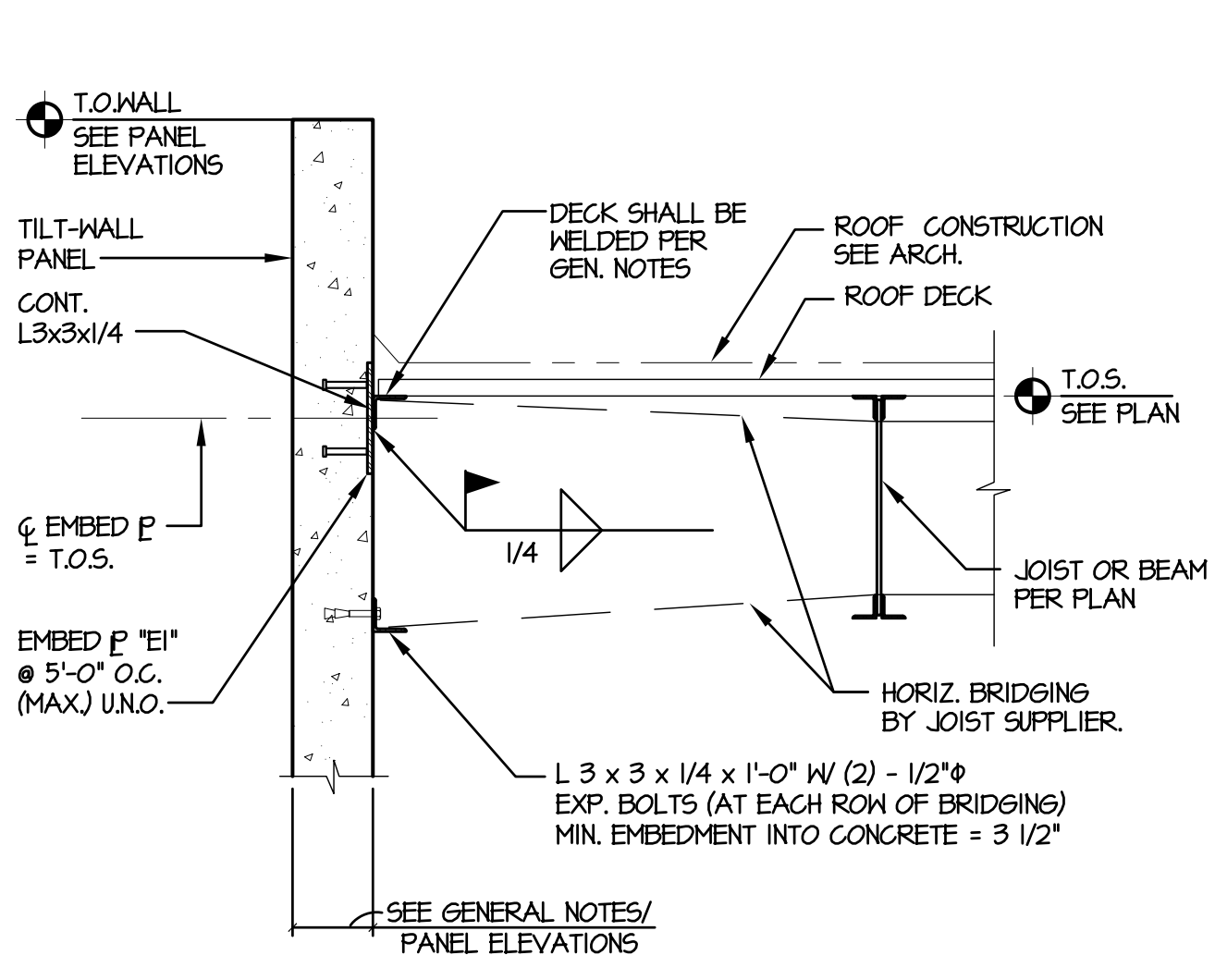


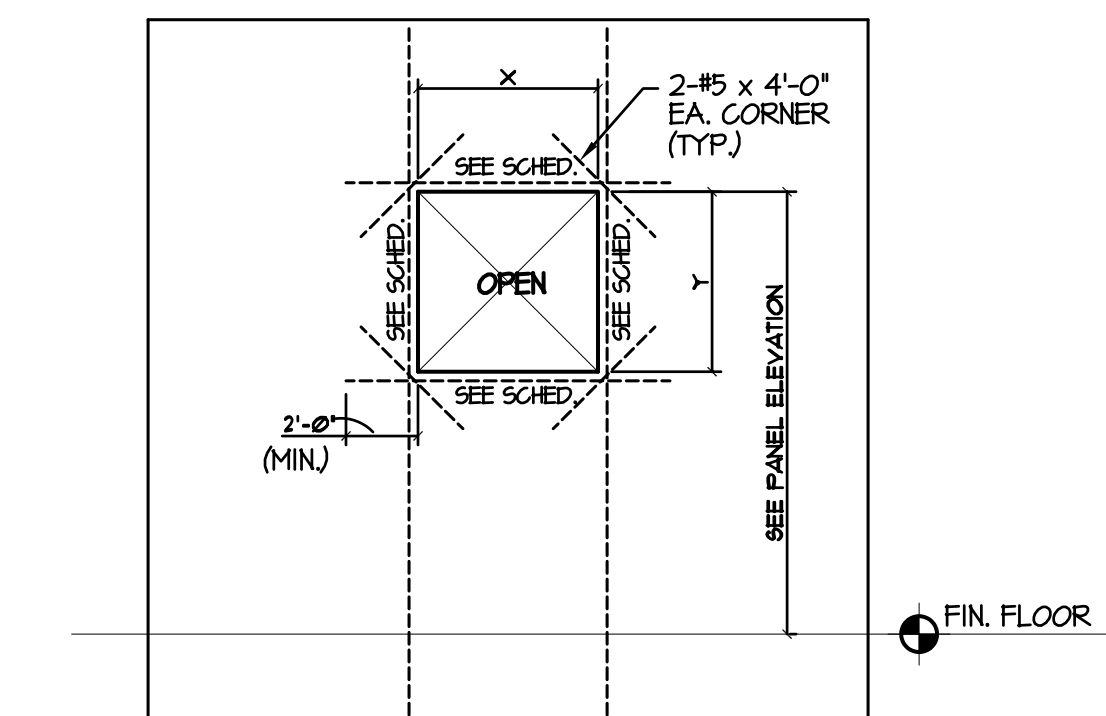
COPYRIGHT © GOULAS + ASSOCIATES, INC. ALL DRAWINGS, SPECIFICATIONS AND DESIGNS APPEARING HEREIN CONSTITUTE THE ORIGINAL AND UNPUBLISHED WORK OF THE ARCHITECT, DESIGNER AND HIS/HER ASSOCIATES, AND THE SAME MAY NOT BE DUPLICATED, USED OR DISCLOSED WITHOUT THE EXPRESS WRITTEN CONSENT OF THE ARCHITECT/DESIGNER.



TYPICAL DETAIL
DECK SUPPORT AT TILT-WALL PANEL
JOIST PARALLEL TO PANEL (AT ROOF)

8 FRAMING DETAIL
SCALE: NO SCALE

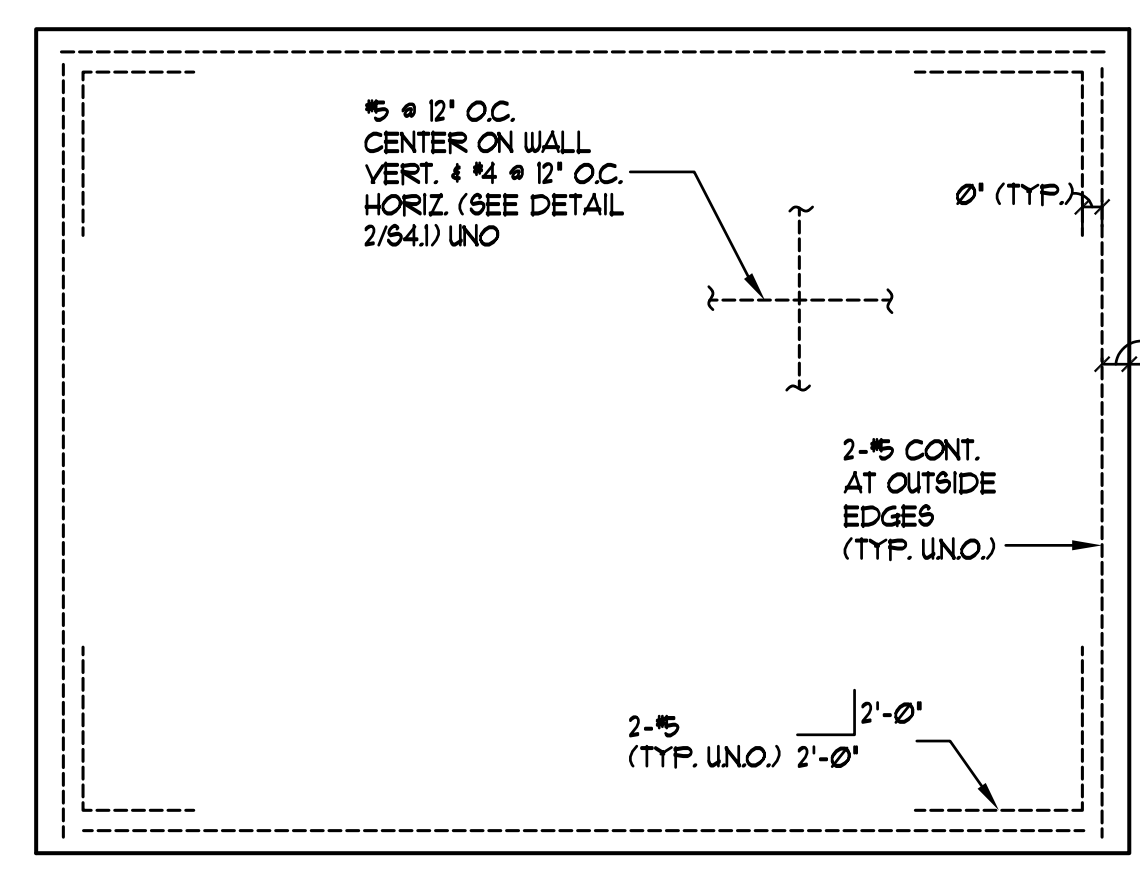
REINFORCING SCHEDULE			
OPENING SIZE		ADDNL. REINF. EA. SIDE OF OPENING	
X	Y	HORIZONTAL	VERTICAL
5'-0" OR LESS	5'-0" OR LESS	(2)-#4 E.F.	(2)-#4 E.F.
10'-0" OR LESS	10'-0" OR LESS	(2)-#5 E.F.	(2)-#5 E.F.
15'-0" OR LESS	15'-0" OR LESS	(2)-#6 E.F.	(2)-#6 E.F.



- NOTES:
1. REINF. SHOWN HERE SHALL BE IN ADDITION TO TYPICAL REINFORCING NOTED IN GENERAL NOTES.
2. SEE PANEL ELEVATION FOR ADDITIONAL REINFORCING AT OPENINGS LARGER THAN 8'-0".
3. PLACE ADDITIONAL REINFORCING AT 3" O.C. FROM OPENINGS.

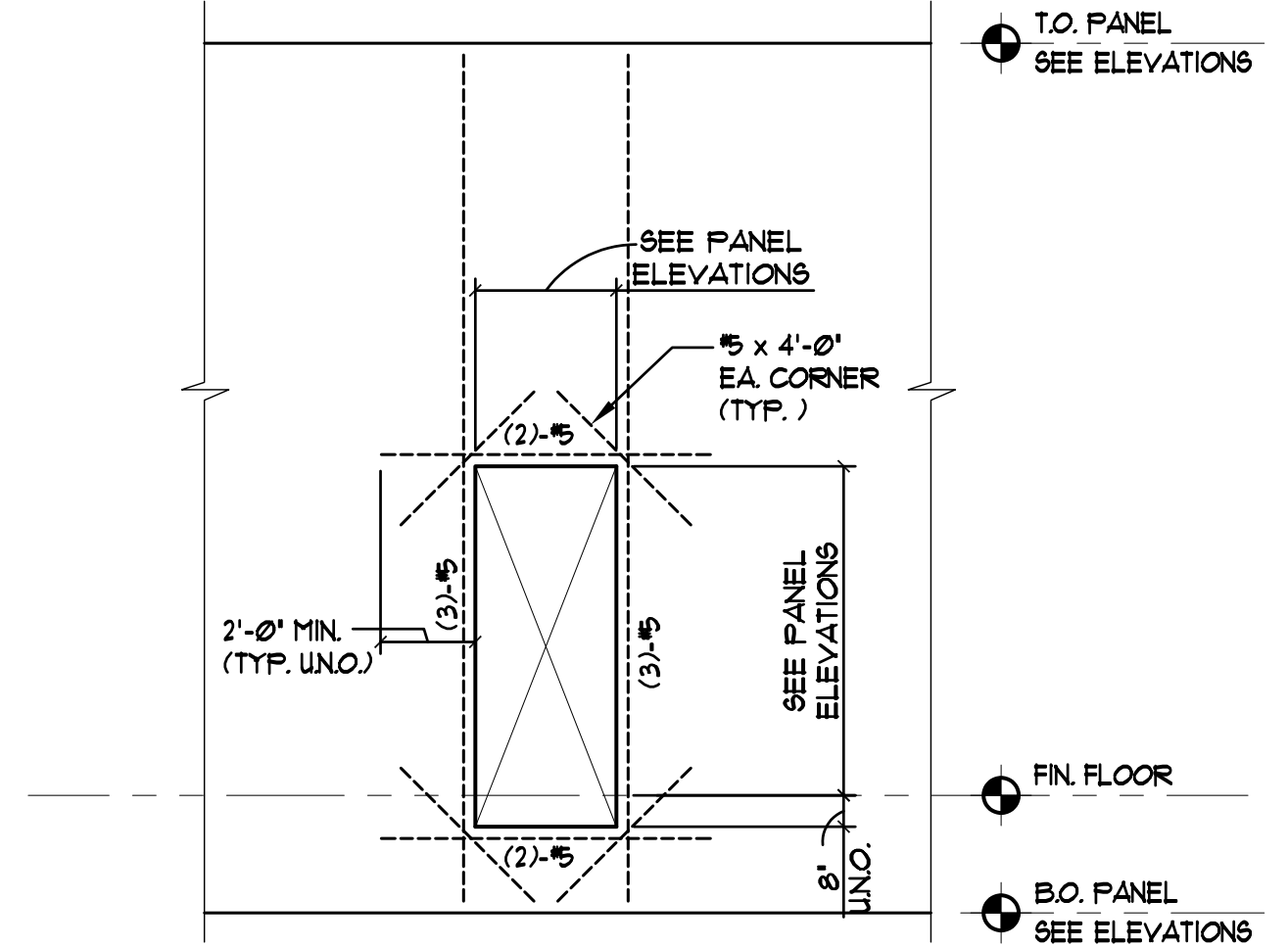
TYPICAL DETAIL
ADDITIONAL REINFORCING AT OPENINGS

7 FRAMING DETAIL
SCALE: NO SCALE



TYPICAL TILT-UP PANEL
REINFORCEMENT

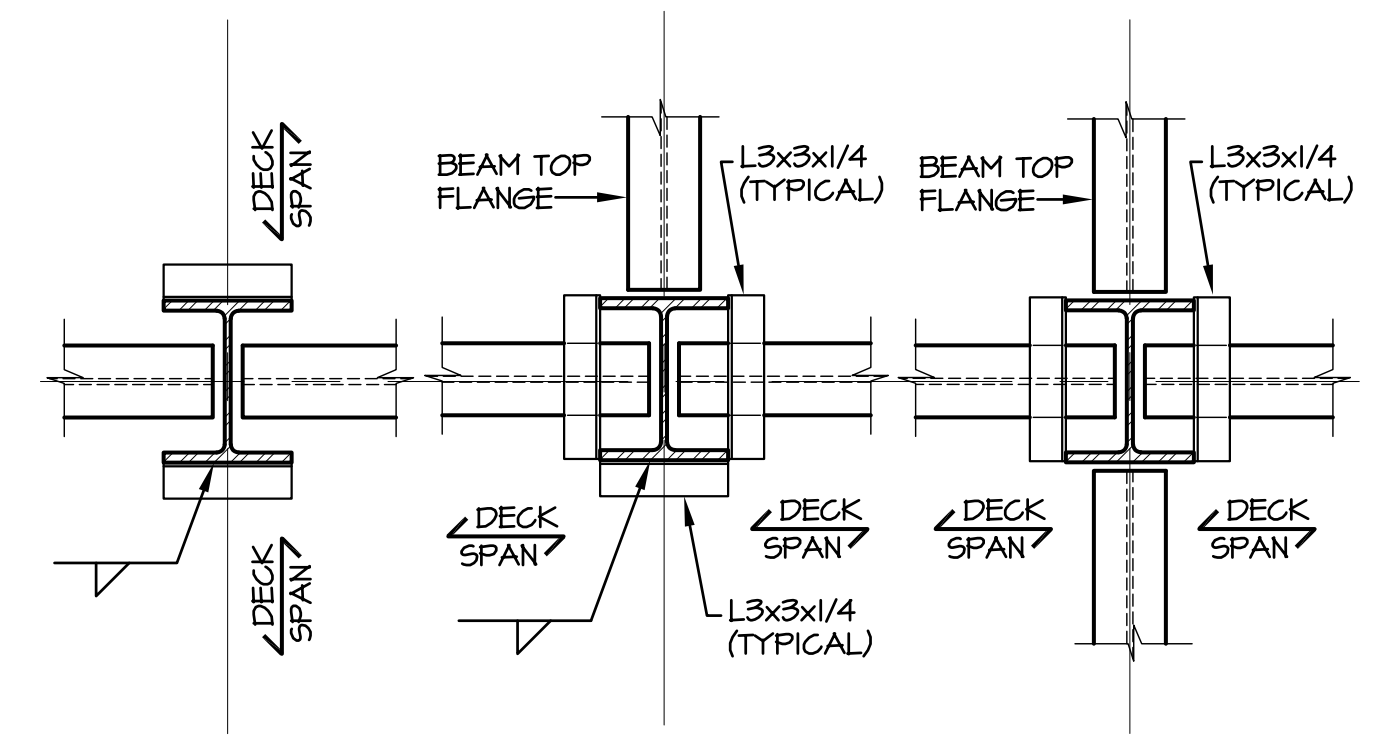
6 FRAMING DETAIL
SCALE: NO SCALE



NOTE: REINFORCING SHOWN HERE SHALL BE IN ADDITION TO TYPICAL REINFORCING NOTED IN GENERAL NOTES.

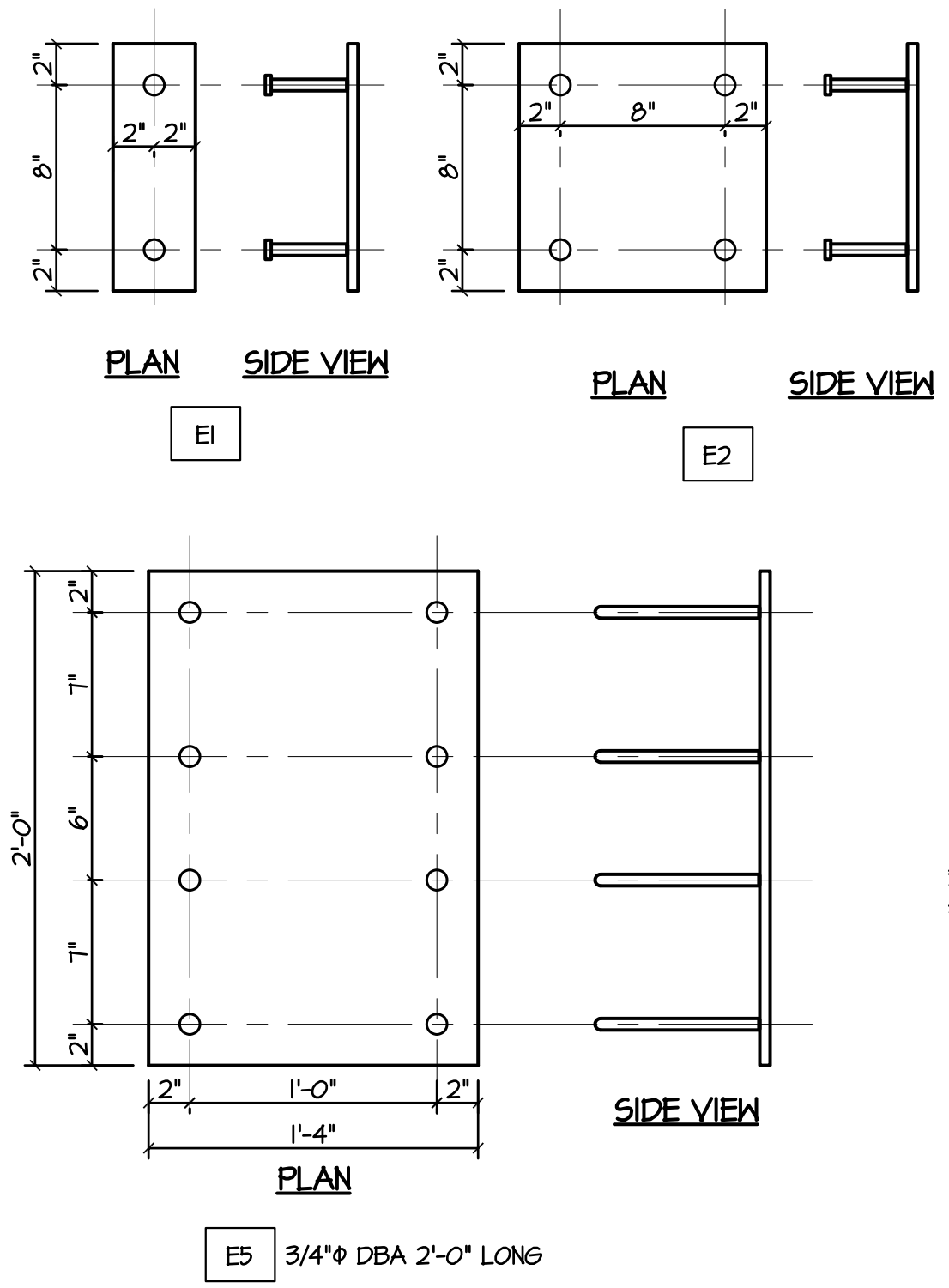
TYPICAL DETAIL
ADDITIONAL REINFORCING
AT OPENING < 4'-0"

5 FRAMING DETAIL
SCALE: NO SCALE



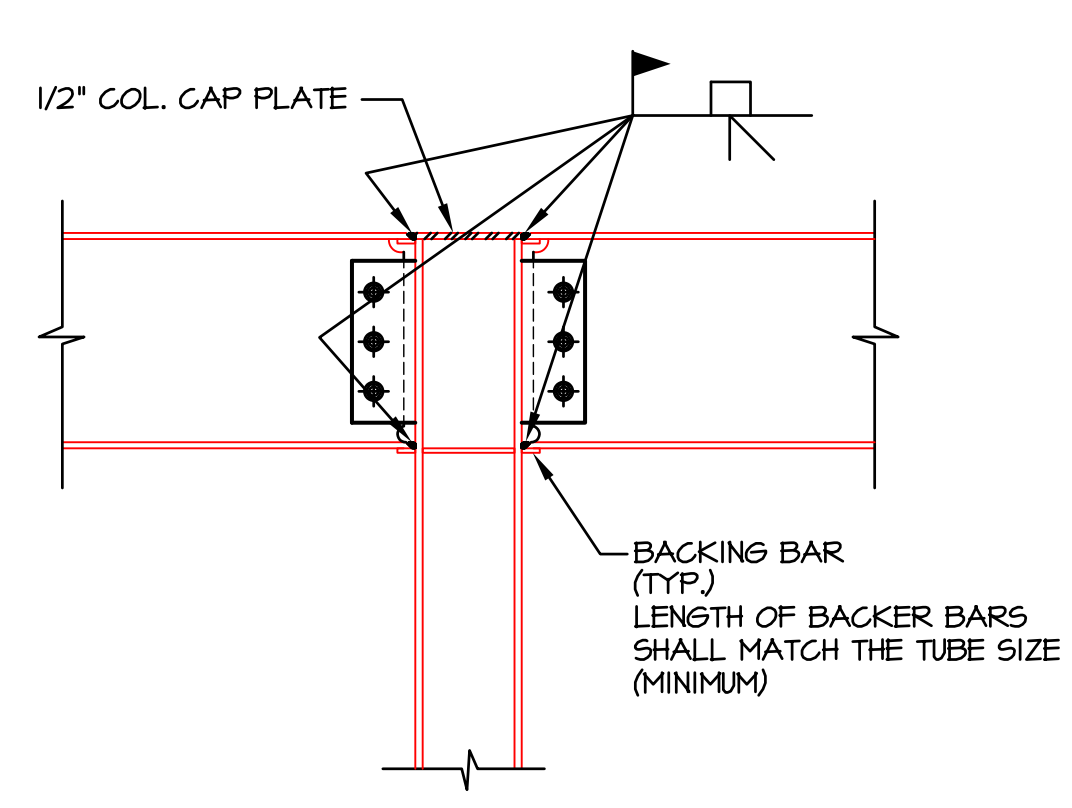
TYPICAL DETAIL
METAL DECK SUPPORT @ STEEL COLUMNS

4 FRAMING DETAIL
SCALE: NO SCALE



TYPICAL DETAIL - EMBED PLATES/ANGLES AT CONCRETE WALL PANELS

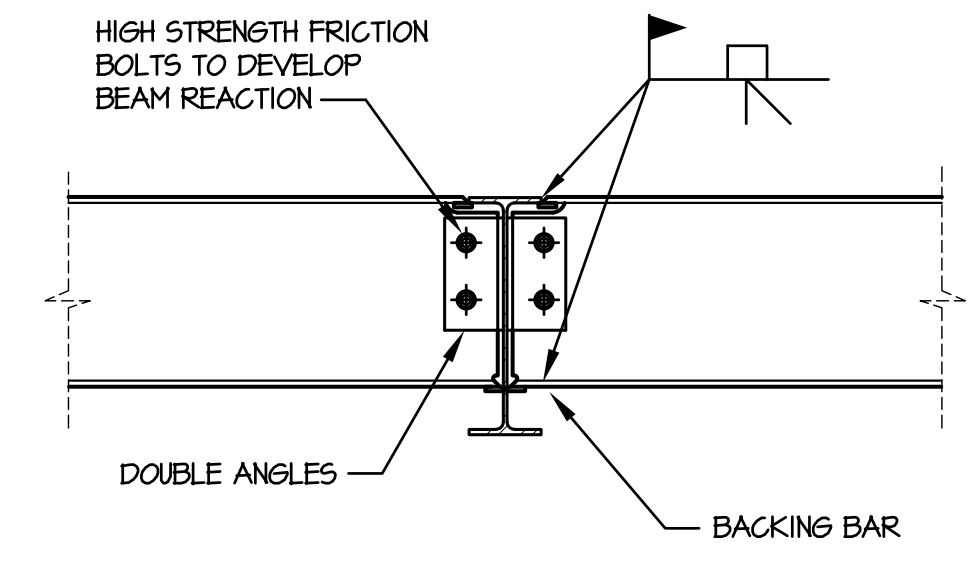
1 FRAMING DETAIL
SCALE: NO SCALE



- NOTES:
1. Bolts in web connection shall be tightened prior to welding of flanges.

WF BEAM TO WF BEAM
MOMENT CONNECTION

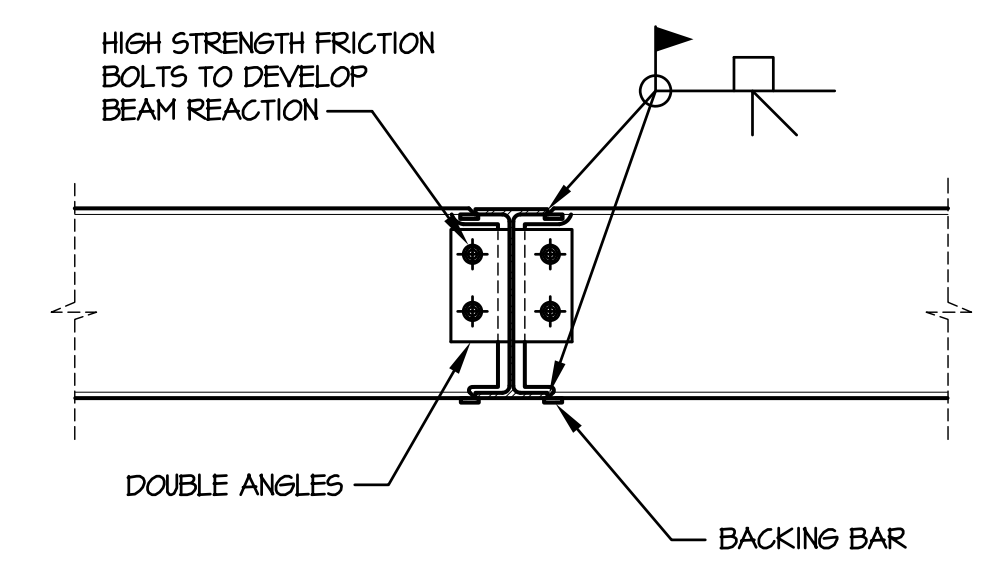
11- FRAMING DETAIL



- NOTES:
1. Bolts in web connection shall be tightened prior to welding of flanges.

TYPICAL DETAIL
STEEL BEAM TO BEAM
MOMENT CONNECTION

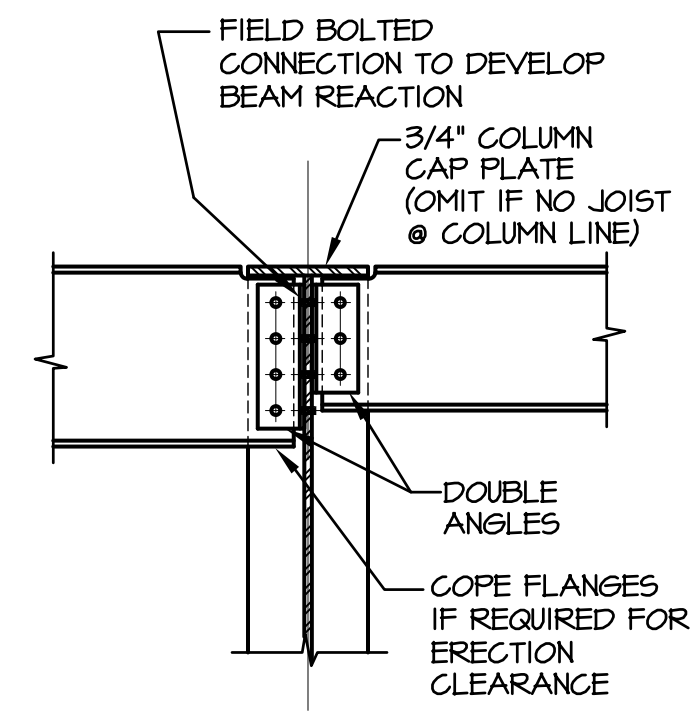
10- FRAMING DETAIL



- NOTES:
1. Bolts in web connection shall be tightened prior to welding of flanges.

TYPICAL DETAIL
STEEL BEAM TO BEAM
MOMENT CONNECTION

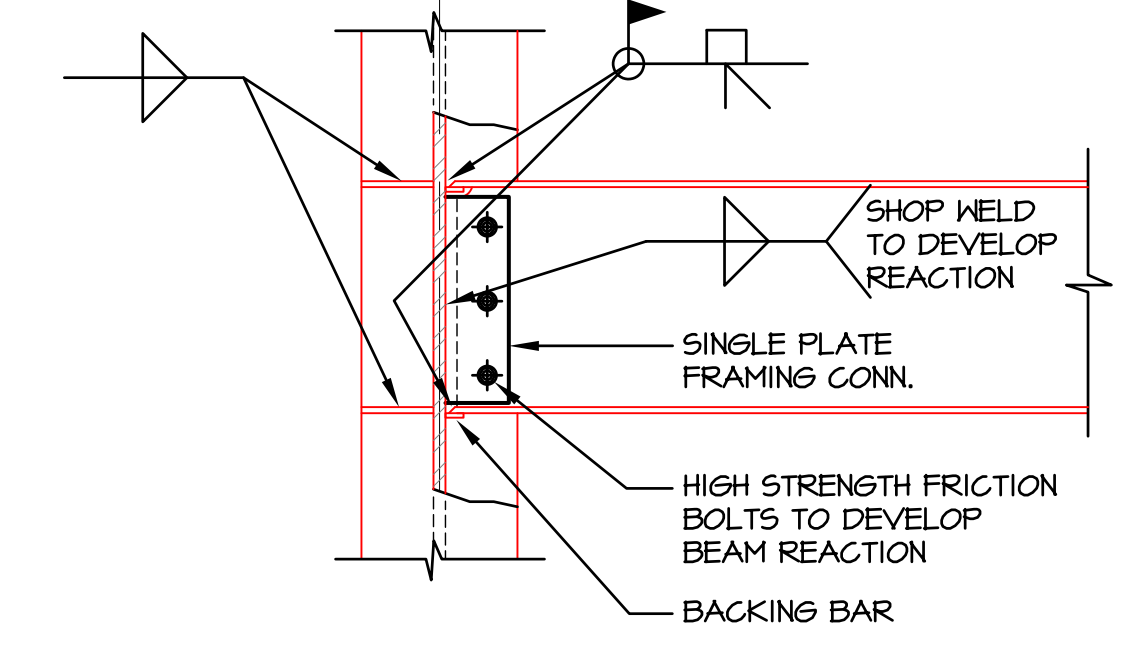
3- FRAMING DETAIL



- NOTES:
1. Refer to general notes for beam reaction design criteria.
2. Provide pre-designed connections as shown in AISC manual where applicable.
3. Refer to general notes for bolt type.

TYPICAL DETAIL
STEEL BEAM TO WF COLUMN
DOUBLE ANGLE SHEAR CONNECTION

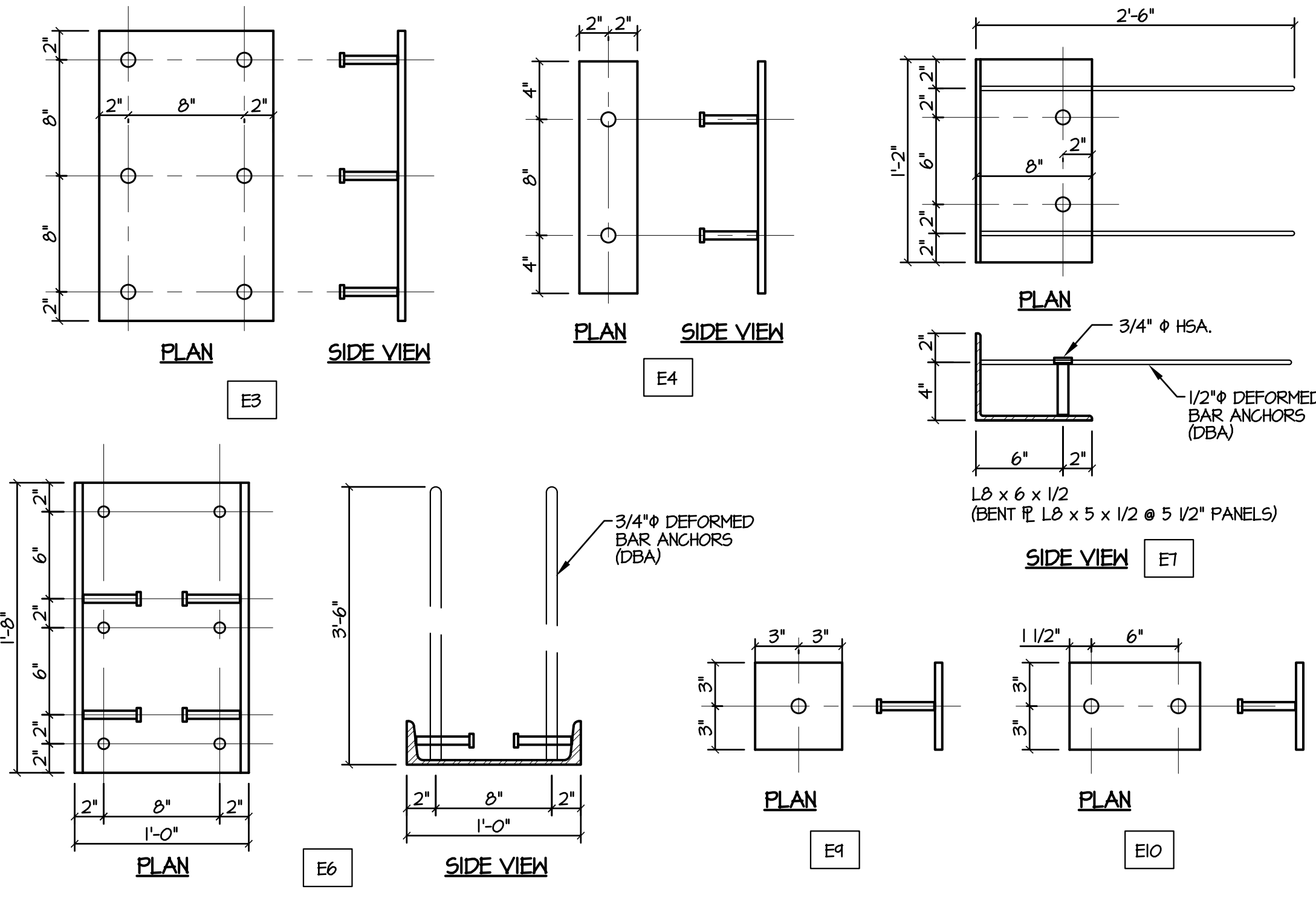
9- FRAMING DETAIL



- NOTE:
1. BOLTS IN WEB CONNECTION SHALL BE TIGHTENED PRIOR TO WELDING OF FLANGES.

TYPICAL DETAIL
STEEL BEAM TO COLUMN WEB
MOMENT CONNECTION

2- FRAMING DETAIL



- NOTES:
1. ALL HEADED STUDS ARE 3/4" x 4" LONG UNO.
2. ALL PLATES ARE 1/2" THICK.
3. ALL EMBEDS MAY NOT BE REQUIRED FOR THIS PROJECT. SEE PANEL ELEVATIONS AND OTHER DETAILS FOR REQUIRED EMBEDS FOR THIS PROJECT.

G&A
GOULAS + ASSOCIATES
ARCHITECTS / PLANNERS
TBPE Firm Registration No. F-18127

STATE OF TEXAS
BINJAM O. CHEBREAB
107333
LICENSED PROFESSIONAL ENGINEER
03.12.2019

Project Information:

Consultants:

HM SE Huzley Michael Structural Engineers

SHOPS ON GOSSLING
RETAIL CENTER
SHELL BUILDING DEVELOPMENT
24909 GOSSLING ROAD
SPRING, TEXAS 77389

Sheet Title:
FRAMING DETAILS

Issue:
CD/PERMIT
Issue Date:
12 MARCH 2019

Revision Date:

Sheet:
S4.0