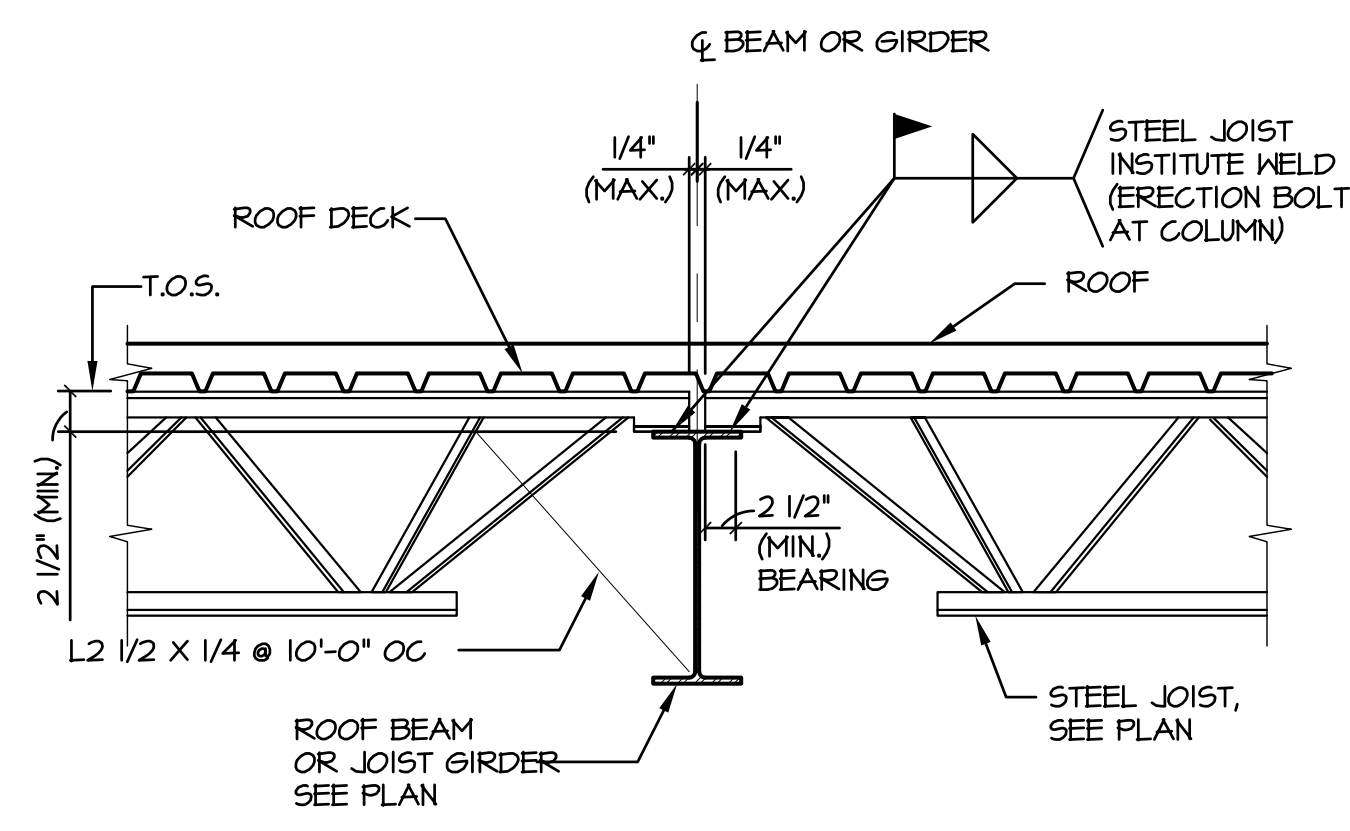


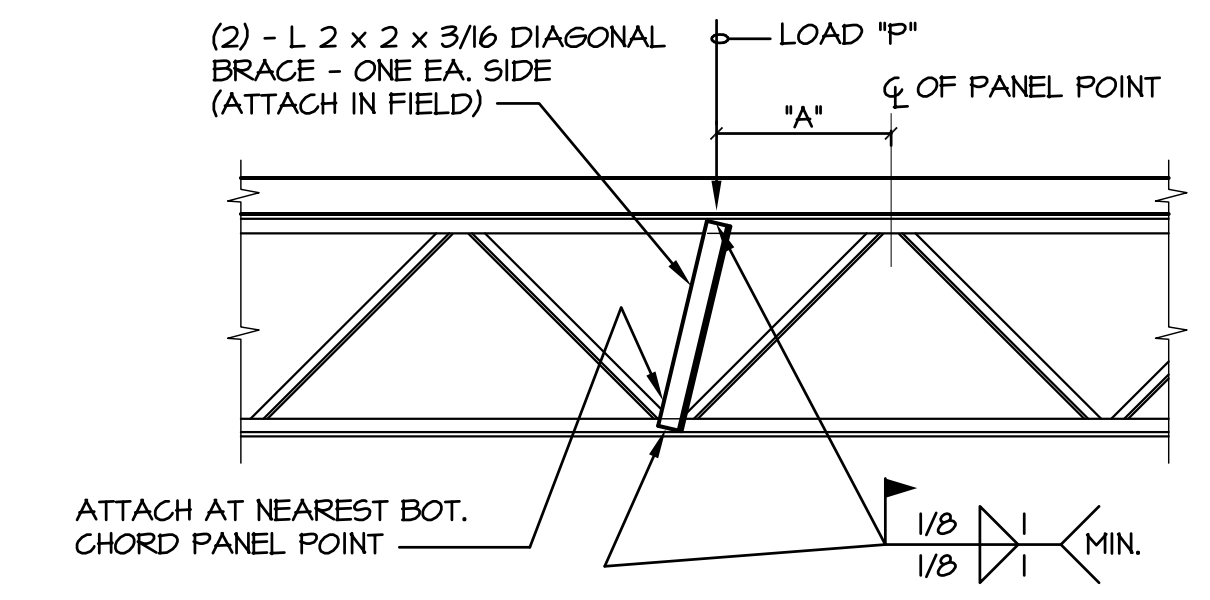
COPYRIGHT © GOULAS + ASSOCIATES, INC. ALL DRAWINGS, SPECIFICATIONS AND DESIGNS APPEARING HEREIN CONSTITUTE THE ORIGINAL AND UNPUBLISHED WORK OF THE ARCHITECT, DESIGNER AND HIS/HER ASSOCIATES, AND THE SAME MAY NOT BE DUPLICATED, USED OR DISCLOSED WITHOUT THE EXPRESS WRITTEN CONSENT OF THE ARCHITECT/DESIGNER.



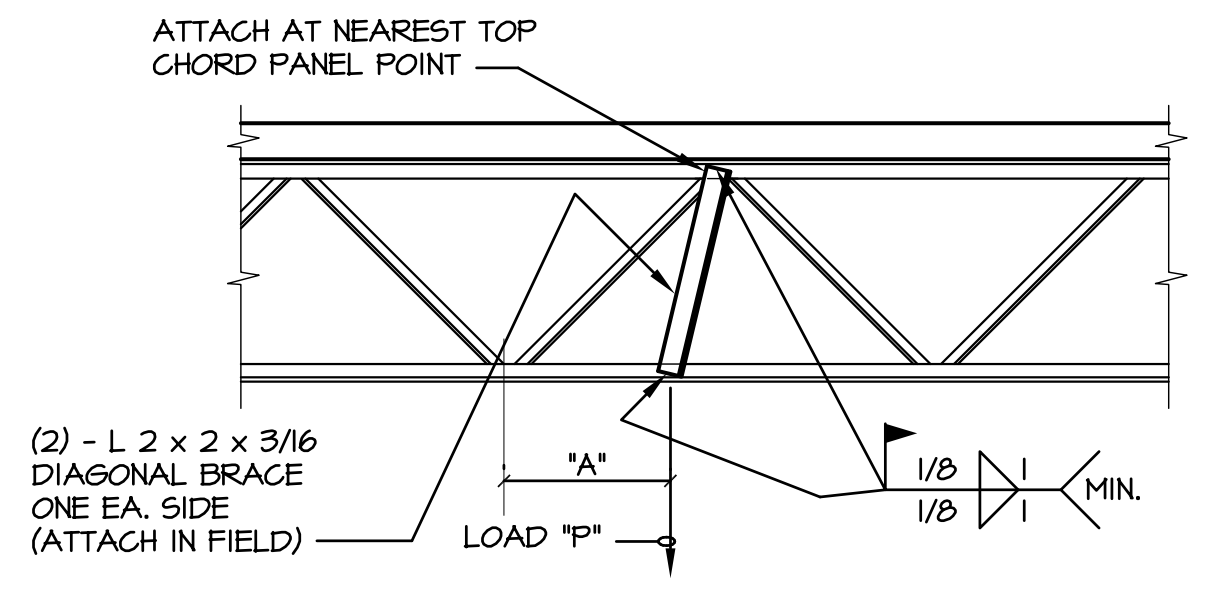
NOTES
 1. MINIMUM WIDTH OF TOP CHORD SHALL BE 6".
 2. COORDINATE JOISTS AND JOIST GIRDER SEATS DEPTH WITH JOIST SUPPLIER.

TYPICAL DETAIL
 OPEN WEB STEEL JOIST
 AT INTERIOR BEAM, ROOF

10 FRAMING DETAIL
 SCALE: NO SCALE



LOAD ON TOP CHORD

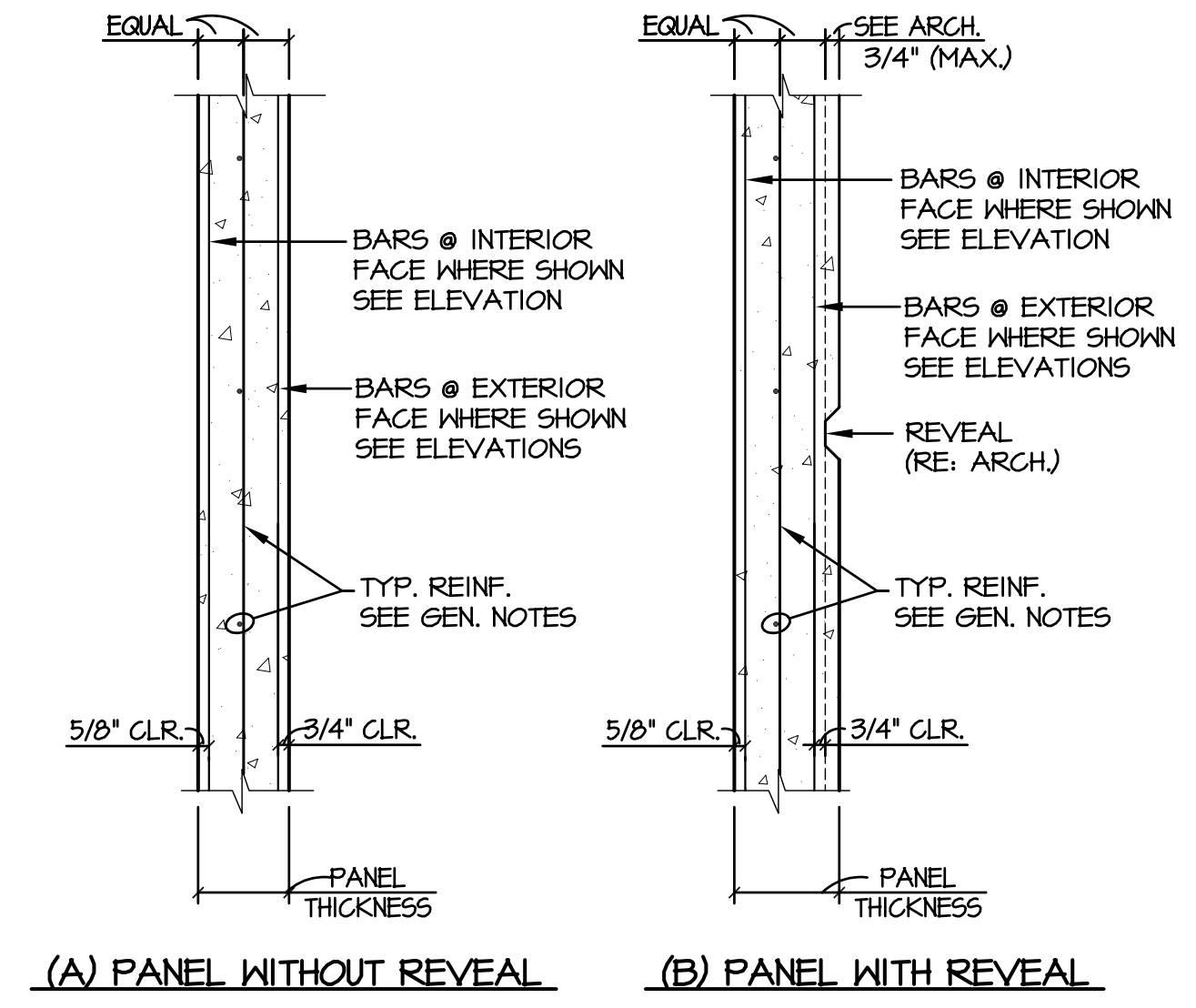


LOAD ON BOTTOM CHORD

NOTES:
 1. Diagonal brace is not required for "A" less than 3".
 2. Provide diagonal brace at location of concentrated loads such as heavy pipes, mechanical units, heavy lights and any other concentrated loads as directed by engineer.
 3. P = concentrated load.

TYPICAL DETAIL
 STIFFENING OF STEEL JOIST
 FOR CONCENTRATED LOADS

9 FRAMING DETAIL
 SCALE: NO SCALE



(A) PANEL WITHOUT REVEAL (B) PANEL WITH REVEAL

TYPICAL DETAIL
 WALL PANEL REINFORCEMENT PLACEMENT

8 FRAMING DETAIL
 SCALE: NO SCALE

