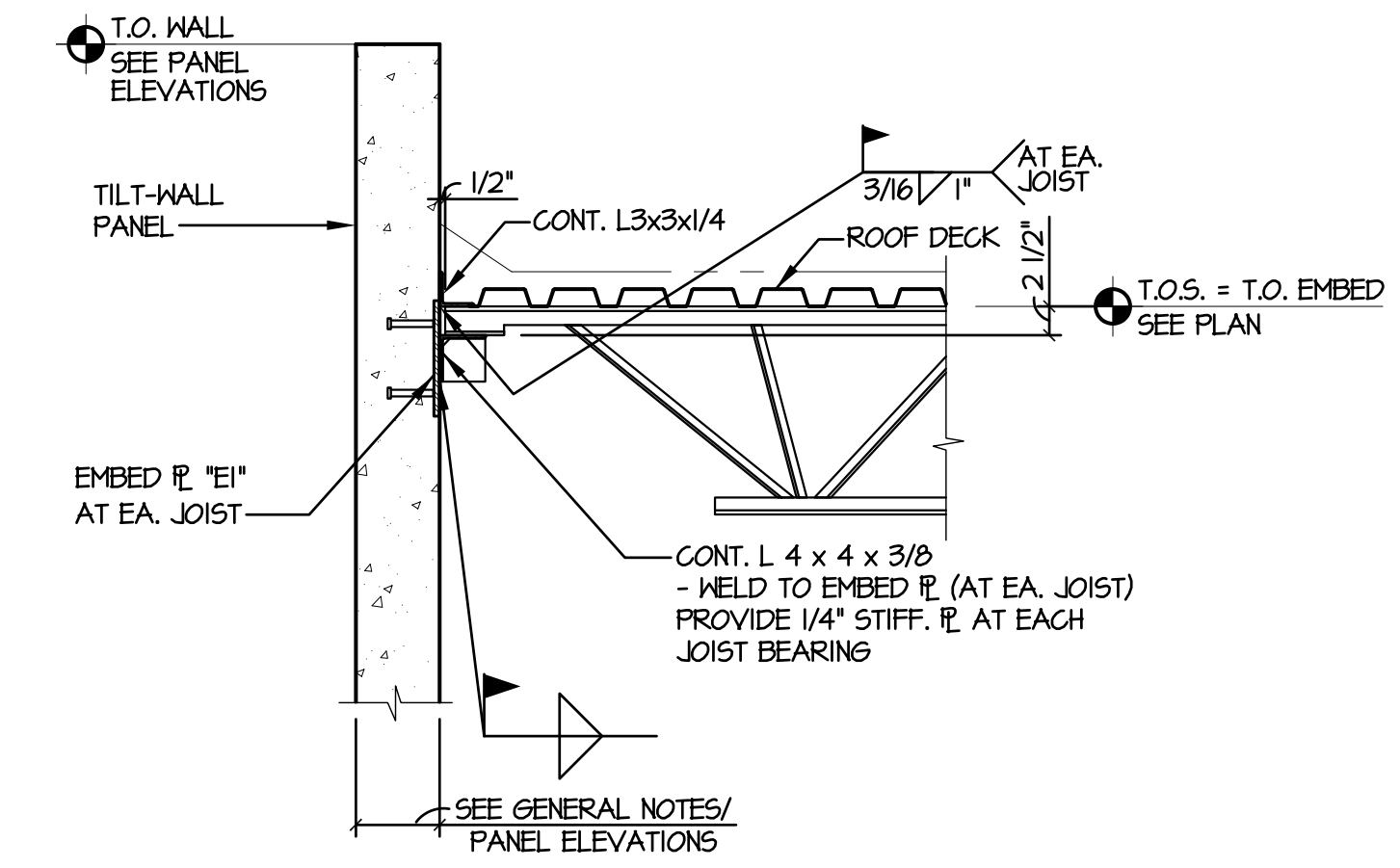
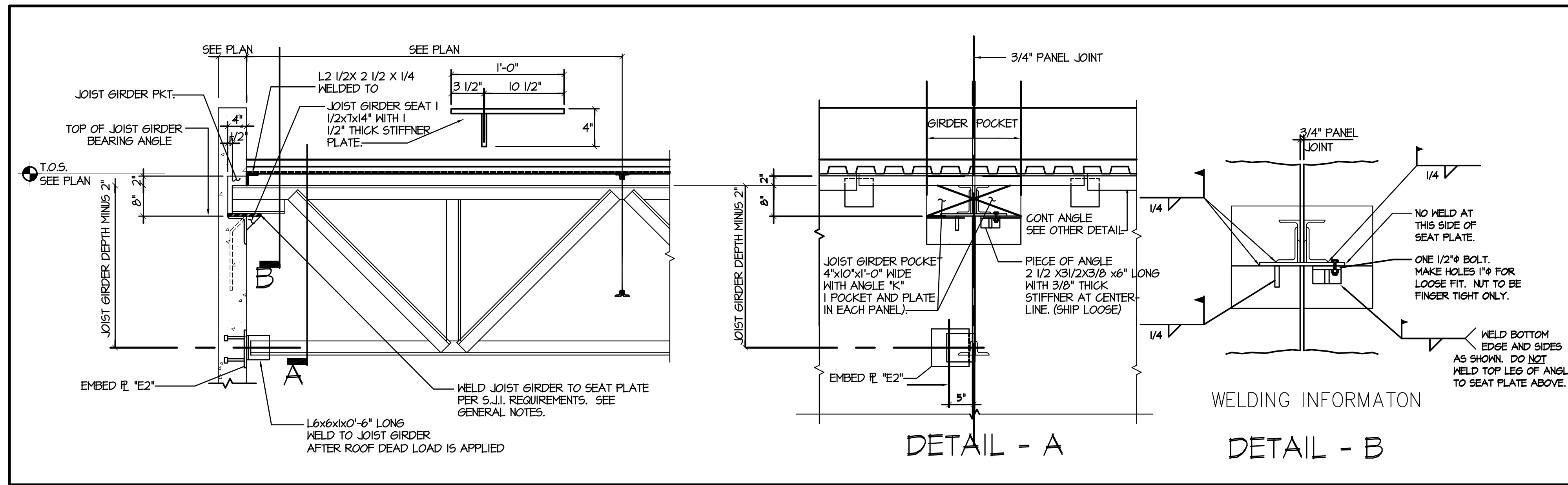


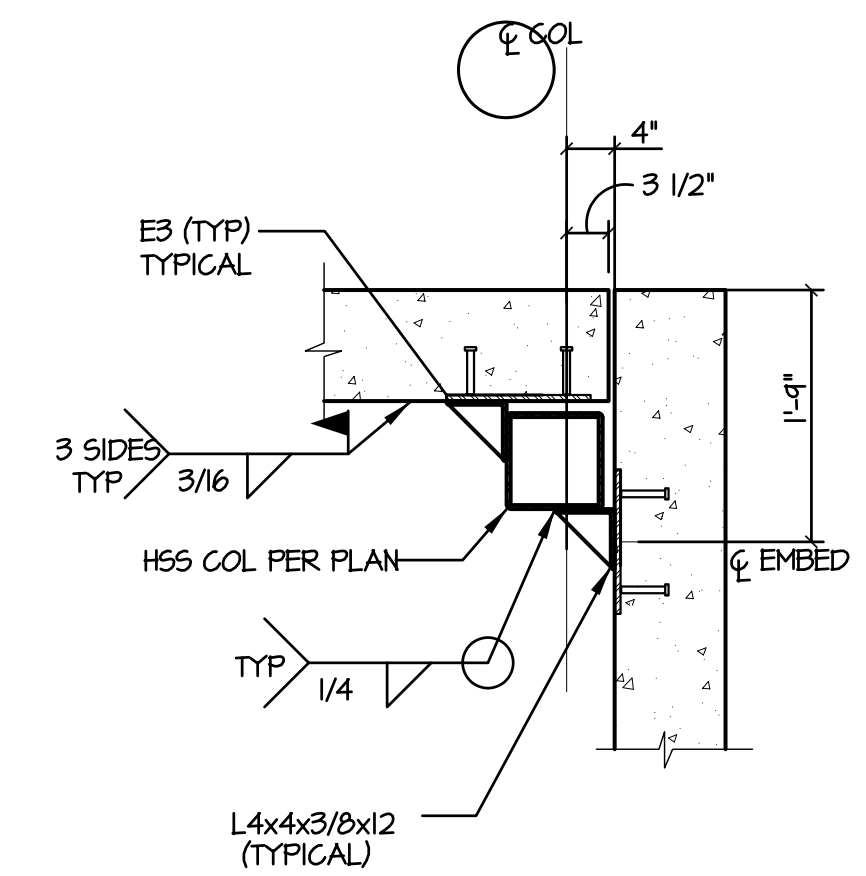
COPYRIGHT © GOULAS + ASSOCIATES, INC. ALL DRAWINGS, SPECIFICATIONS AND DESIGNS APPEARING HEREIN CONSTITUTE THE ORIGINAL AND UNPUBLISHED WORK OF THE ARCHITECT, DESIGNER AND HIS/HER ASSOCIATES, AND THE SAME MAY NOT BE DUPLICATED, USED OR DISCLOSED WITHOUT THE EXPRESS WRITTEN CONSENT OF THE ARCHITECT/DESIGNER.



TYPICAL DETAIL
JOIST SUPPORT AT TILT-WALL PANEL
AT ROOF

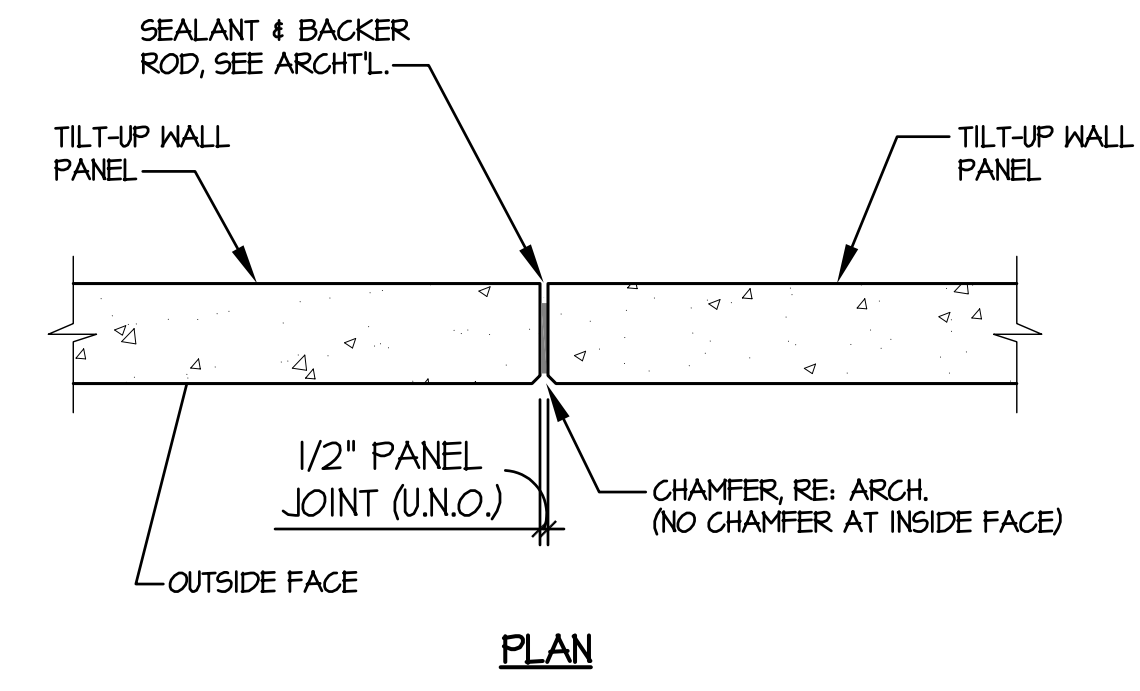
3 FRAMING DETAIL
SCALE: NO SCALE

6 FRAMING DETAIL
SCALE: NO SCALE



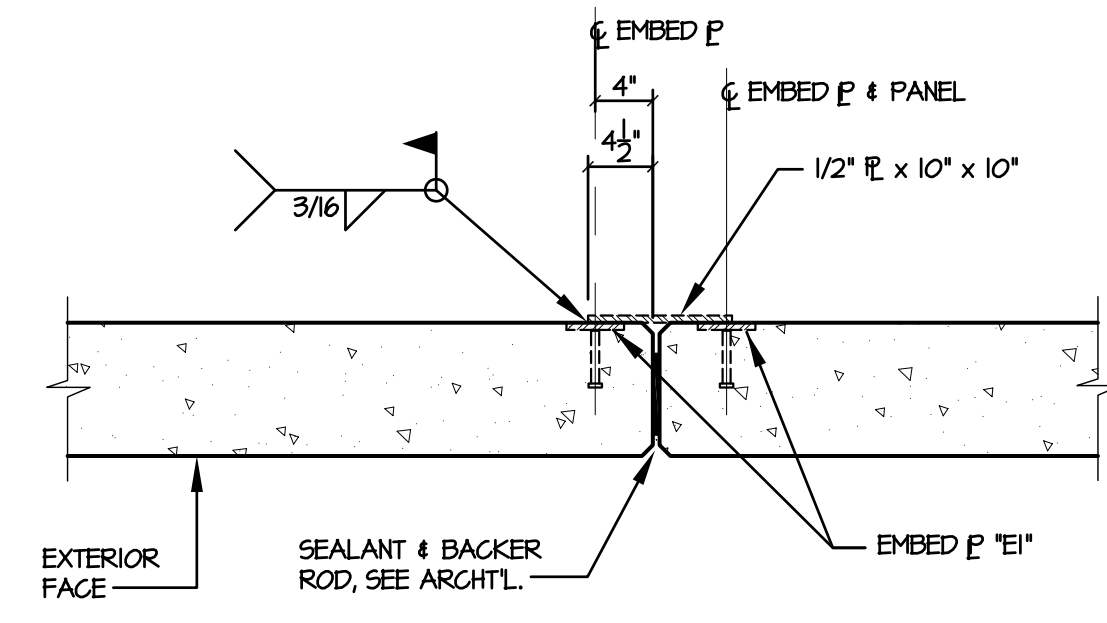
THIS CONNECTION APPLIES AT TOP AND BOTTOM OF THE PANEL
CONC TILT WALL ABOVE CURTAIN WALL
AT CORNER CONN.

10 FRAMING DETAIL
SCALE: NO SCALE



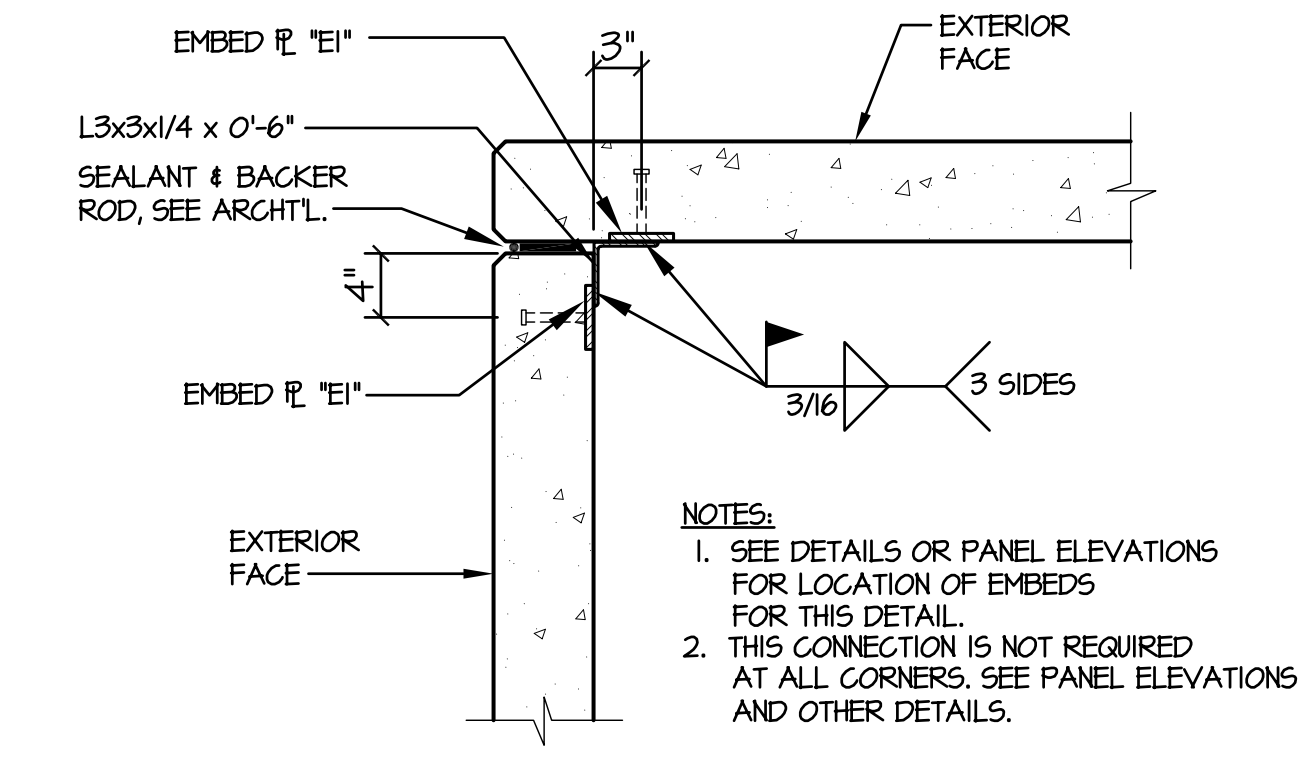
TYPICAL DETAIL
PANEL JOINT

8 FRAMING DETAIL
SCALE: NO SCALE



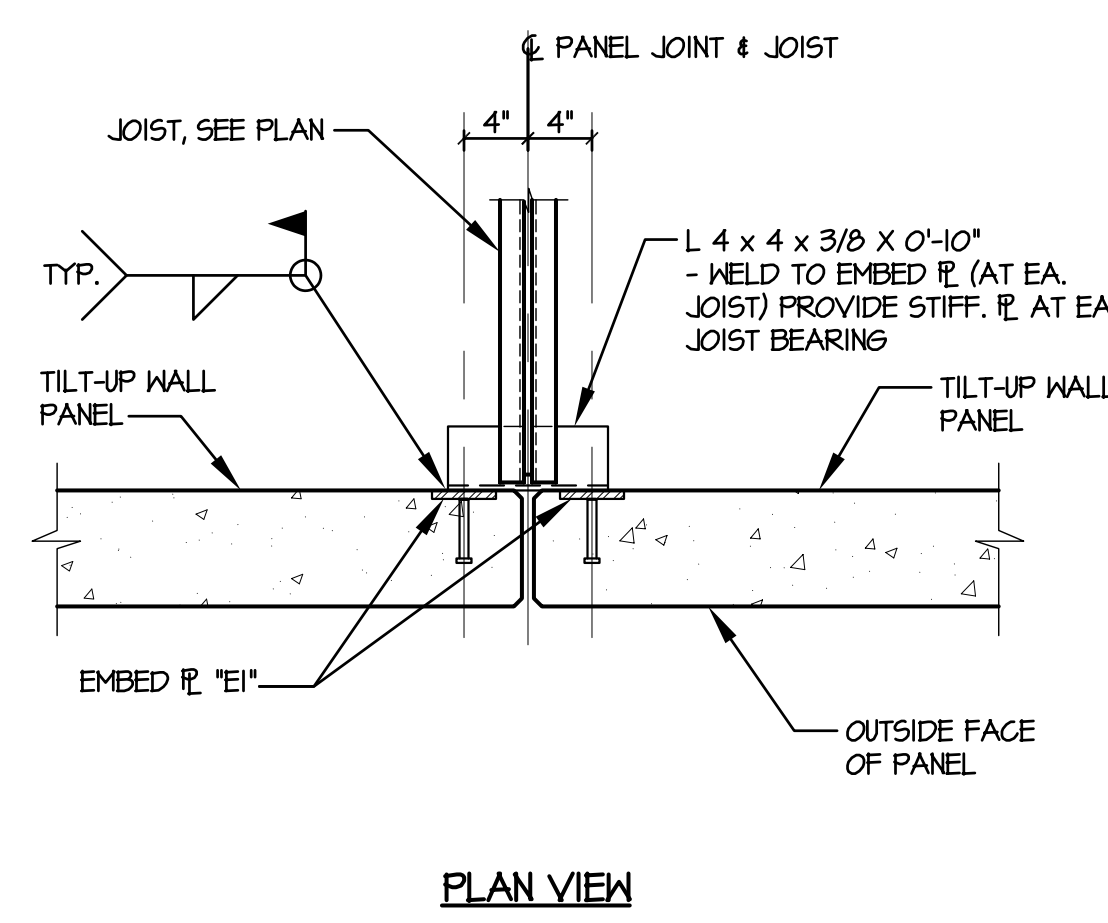
TYPICAL DETAIL
PANEL CONNECTION AT CORNER

5 FRAMING DETAIL
SCALE: NO SCALE



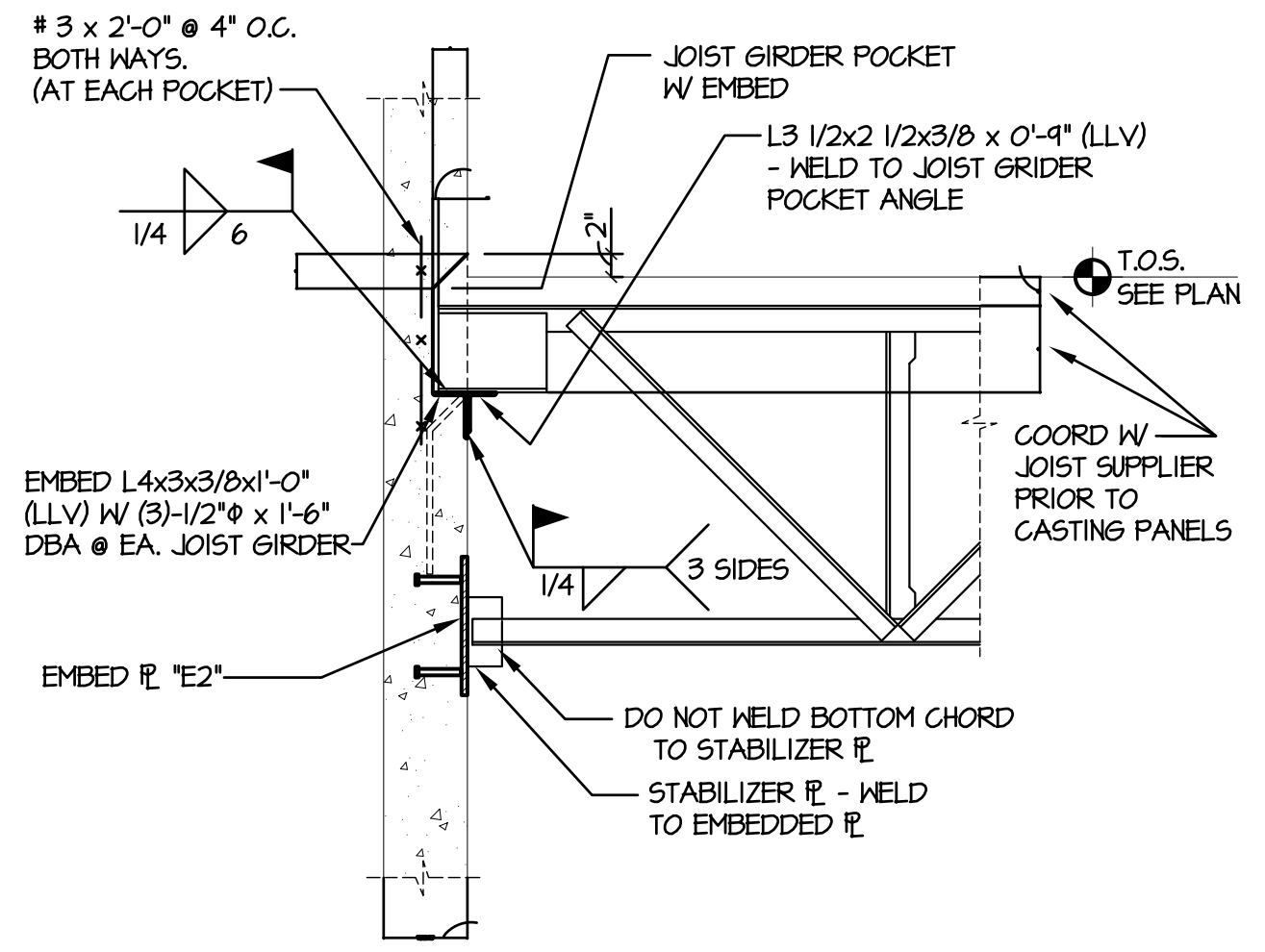
TYPICAL DETAIL
PANEL CONNECTION AT CORNER

2 FRAMING DETAIL
SCALE: NO SCALE



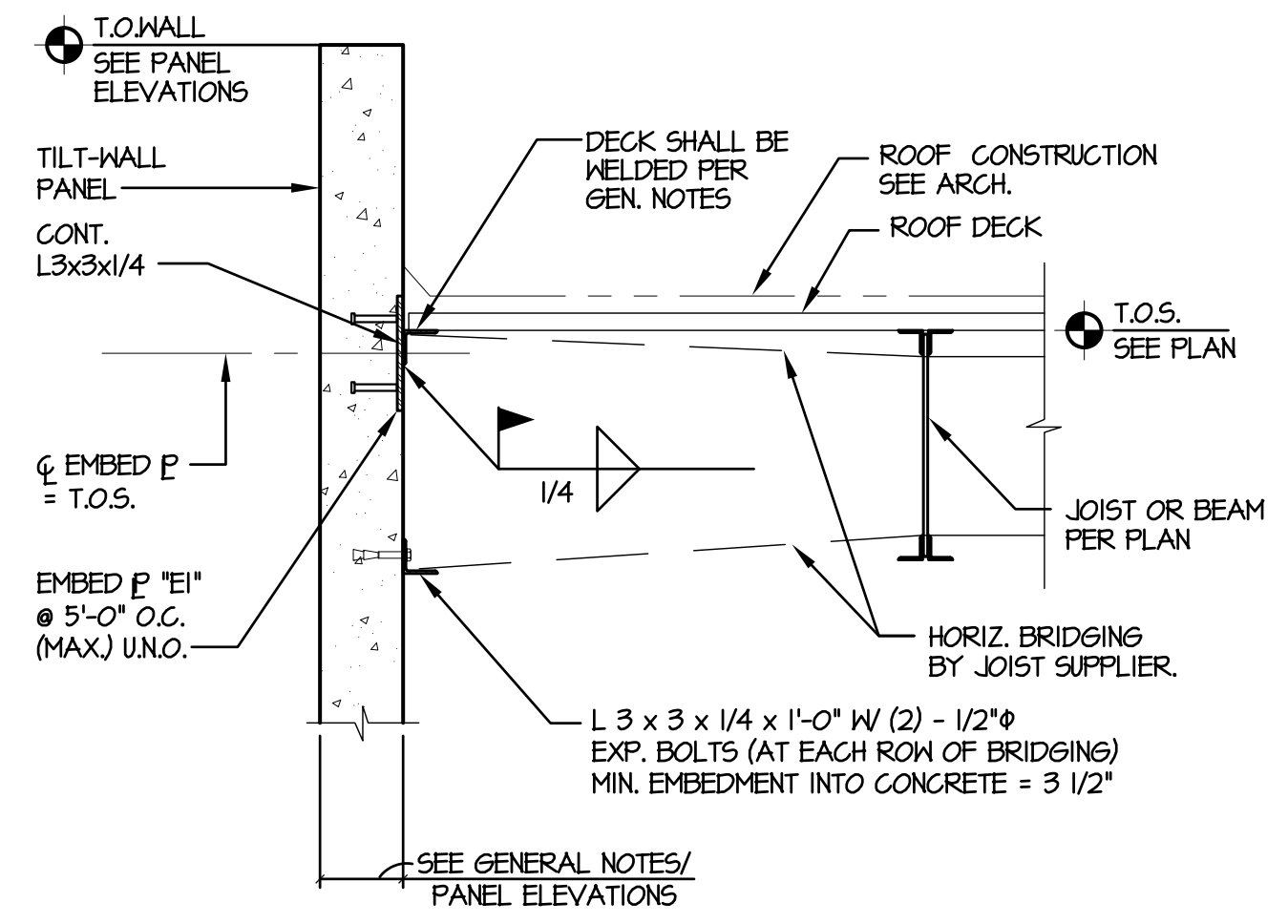
TYPICAL DETAIL
CONNECTION OF STEEL JOIST
TO WALL PANEL AT JOINT

9 FRAMING DETAIL
SCALE: NO SCALE



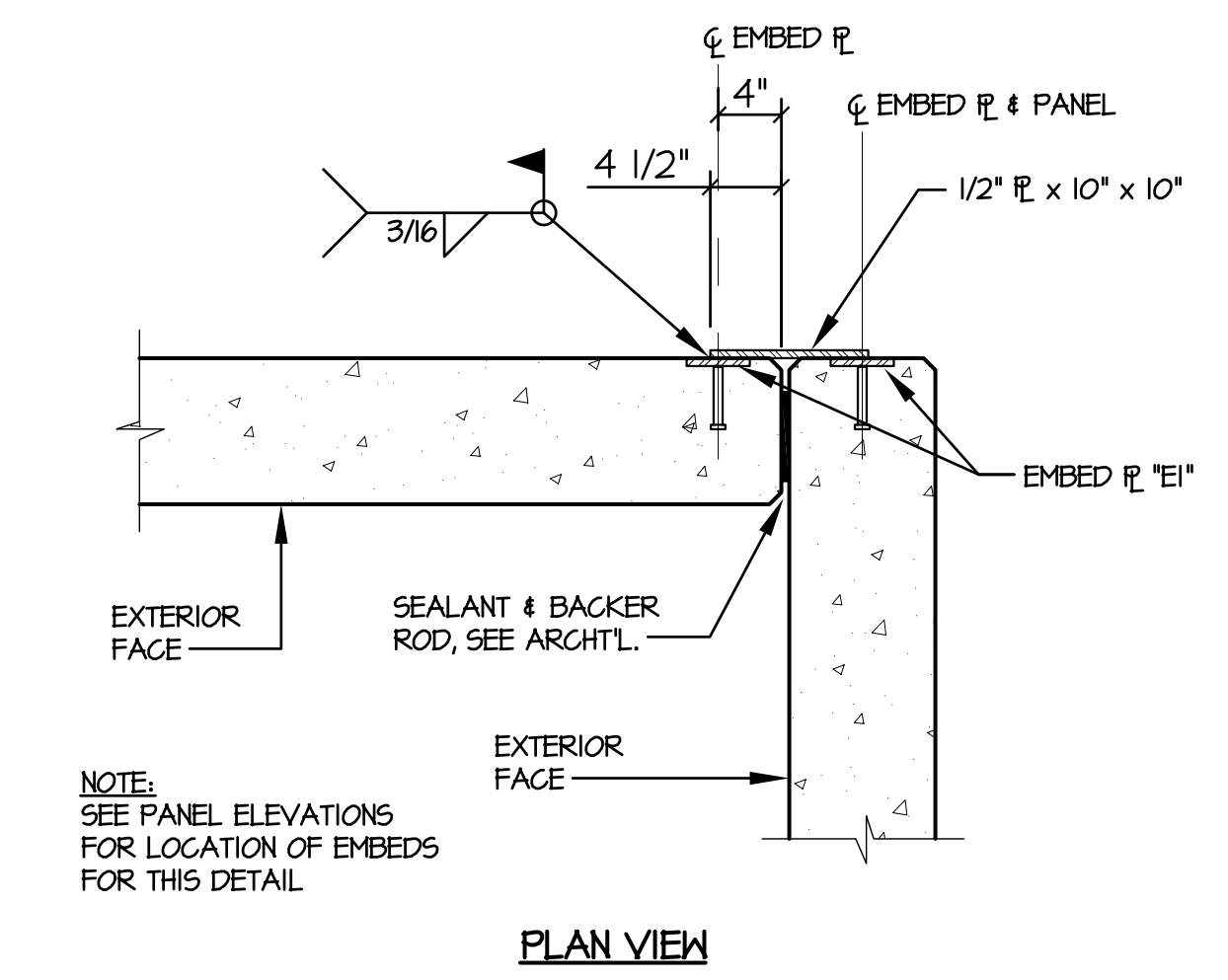
TYPICAL DETAIL
JOIST GIRDER CONNECTION
TO PRECAST WALL

7 FRAMING DETAIL
SCALE: NO SCALE



TYPICAL DETAIL
DECK SUPPORT AT TILT-WALL PANEL
JOIST PARALLEL TO PANEL (AT ROOF)

4 FRAMING DETAIL
SCALE: NO SCALE



TYPICAL DETAIL
PANEL CONNECTION AT CORNER

1 FRAMING DETAIL
SCALE: NO SCALE

G&A
GOULAS + ASSOCIATES
ARCHITECTS / PLANNERS
TBPE Firm Registration No. F-18127

STATE OF TEXAS
BENJAMIN O. CHEBREAB
107333
LICENSED PROFESSIONAL ENGINEER
03.12.2019

Project Information:

Consultants:

HMS Huclay
Michael
Structural
Engineers

**SHOPS ON GOSLING
RETAIL CENTER
SHELL BUILDING DEVELOPMENT
24009 GOSLING ROAD
SPRING, TEXAS 77389**

Sheet Title:
FRAMING DETAILS

Issue:
CD/PERMIT
Issue Date:
12 MARCH 2019

Revision Date:

Sheet:
S4.2