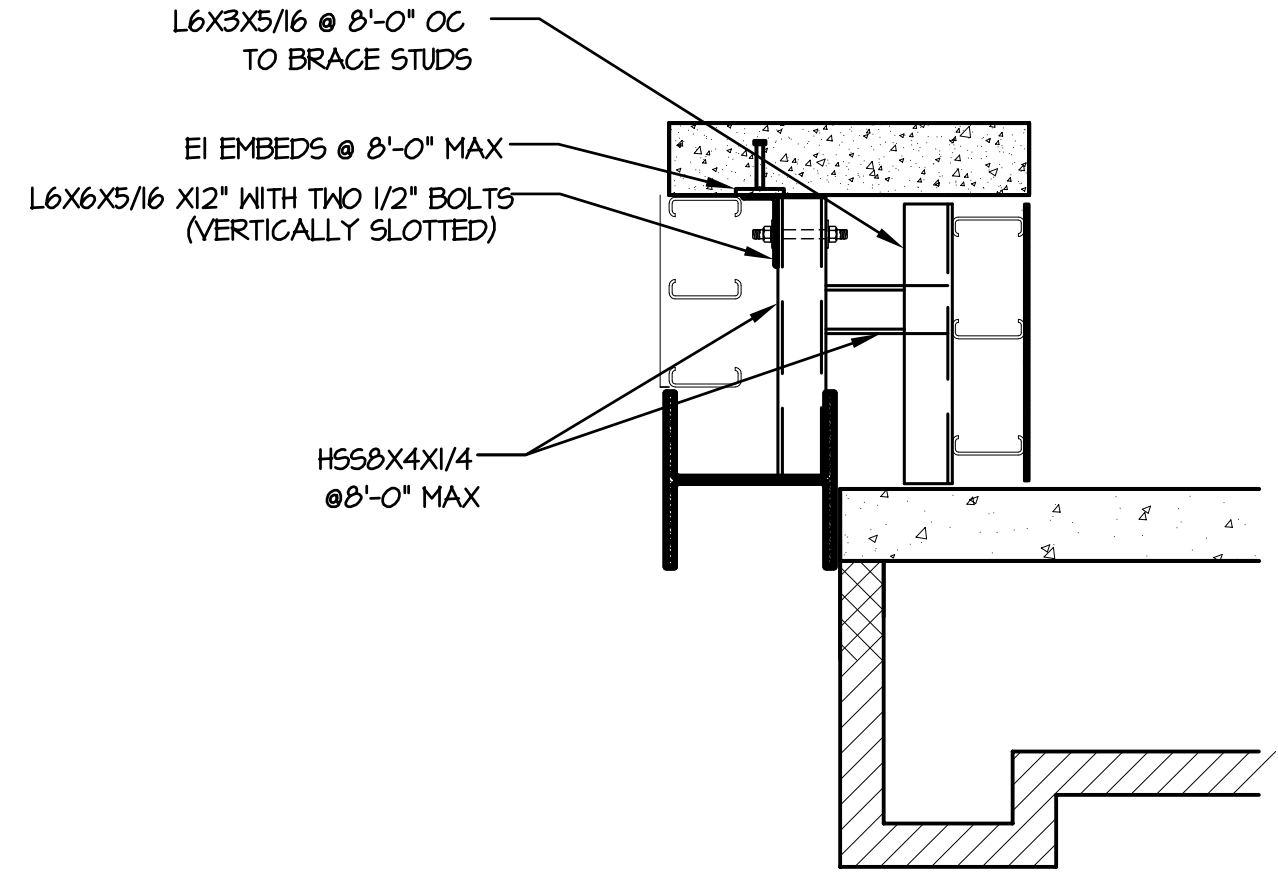
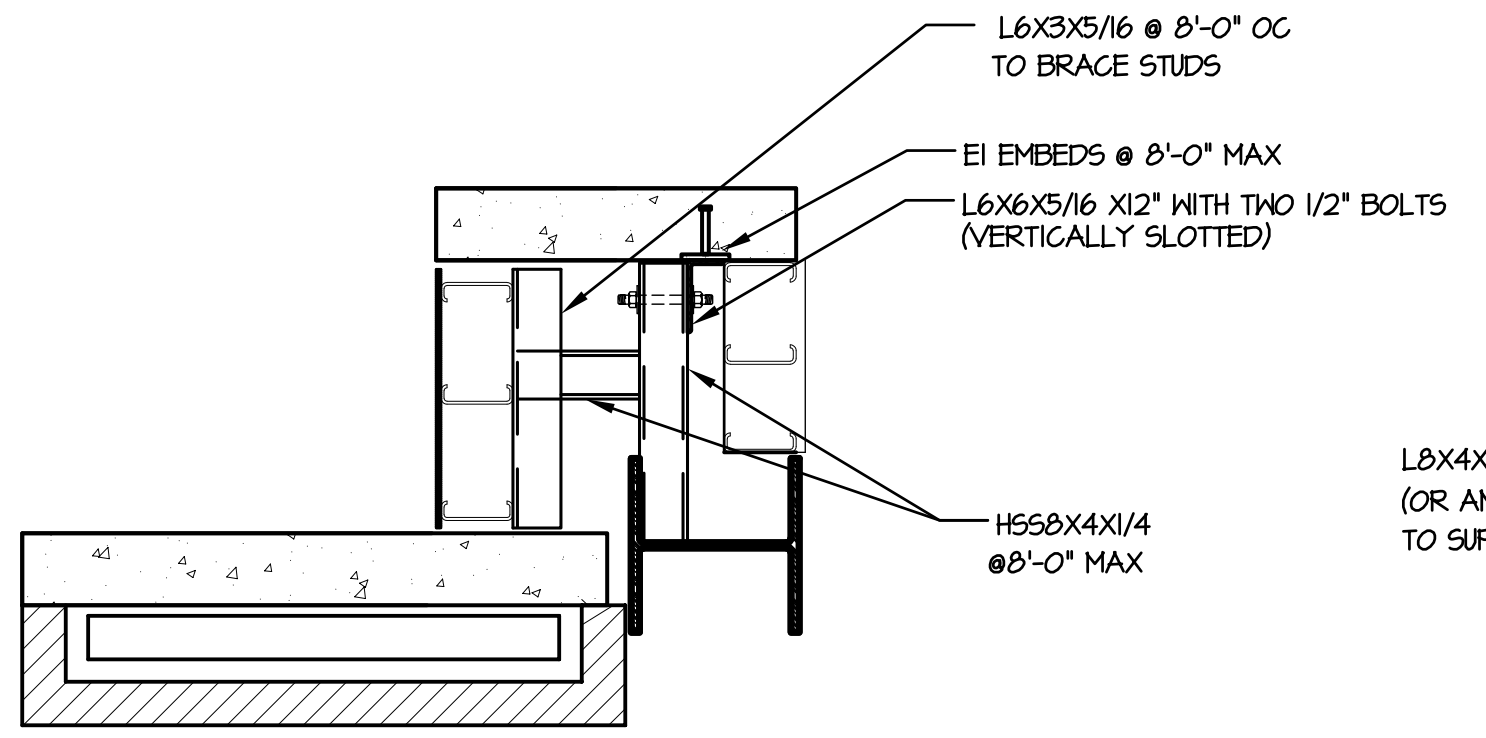


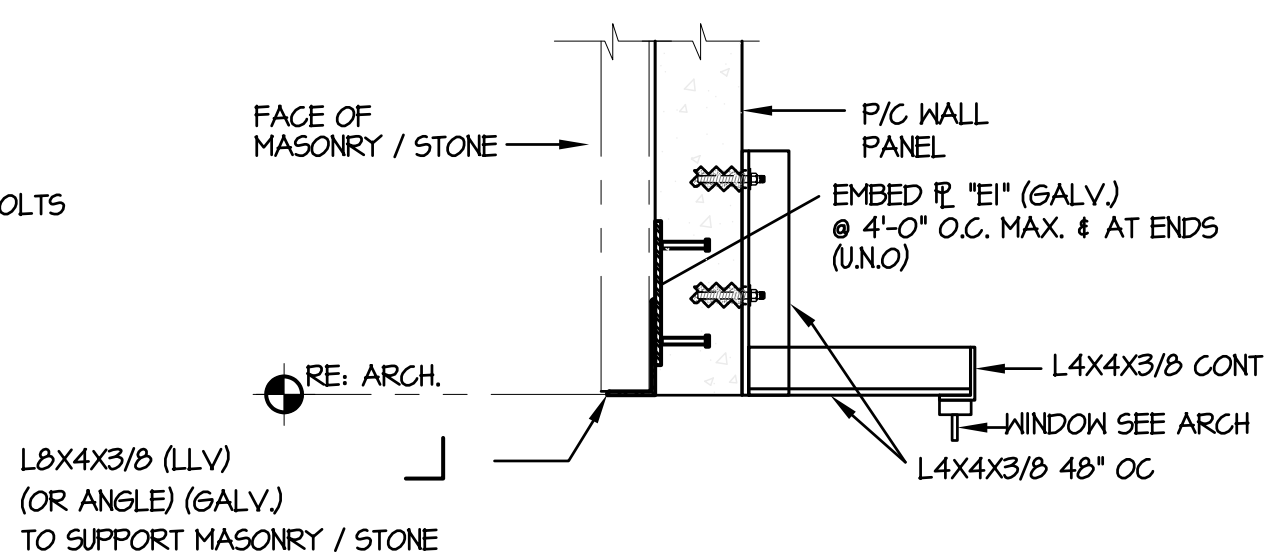
COPYRIGHT © GOULAS + ASSOCIATES, INC. ALL DRAWINGS, SPECIFICATIONS AND DESIGNS APPEARING HEREIN CONSTITUTE THE ORIGINAL AND UNPUBLISHED WORK OF THE ARCHITECT, DESIGNER AND HIS/HER ASSOCIATES, AND THE SAME MAY NOT BE DUPLICATED, USED OR DISCLOSED WITHOUT THE EXPRESS WRITTEN CONSENT OF THE ARCHITECT/DESIGNER.



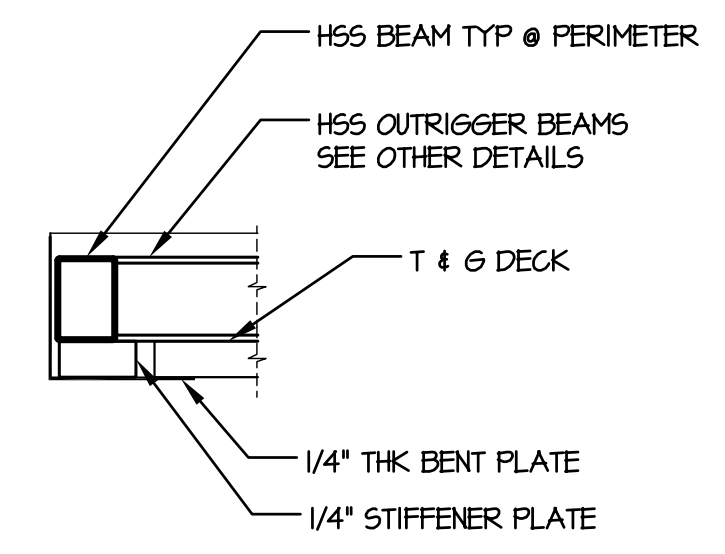
14 FRAMING DETAIL
SCALE: NO SCALE



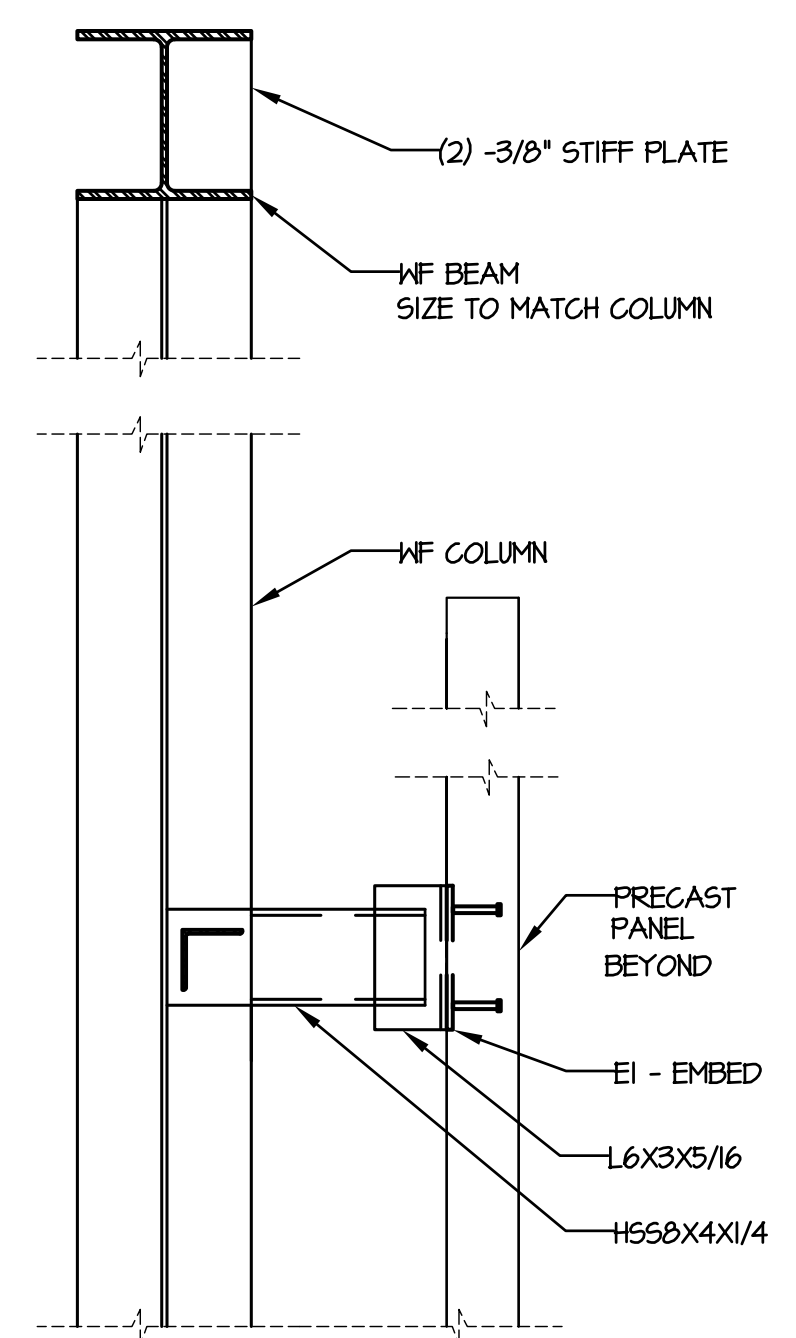
13 FRAMING DETAIL
SCALE: NO SCALE



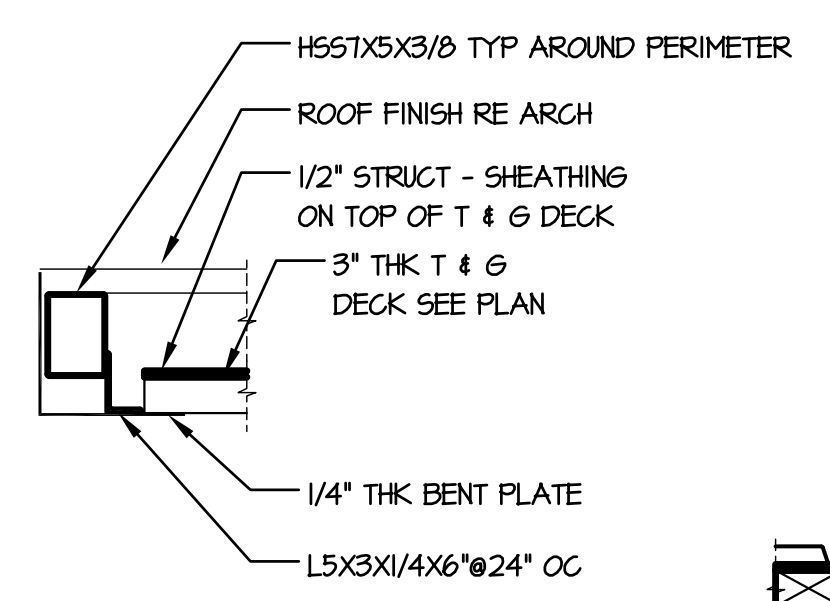
10 FRAMING DETAIL
SCALE: NO SCALE



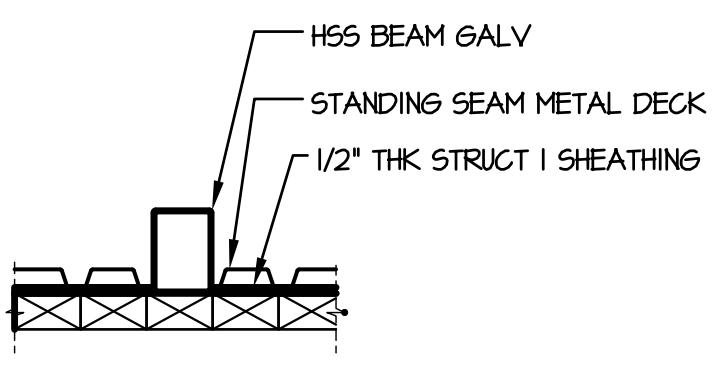
7 FRAMING DETAIL
SCALE: NO SCALE



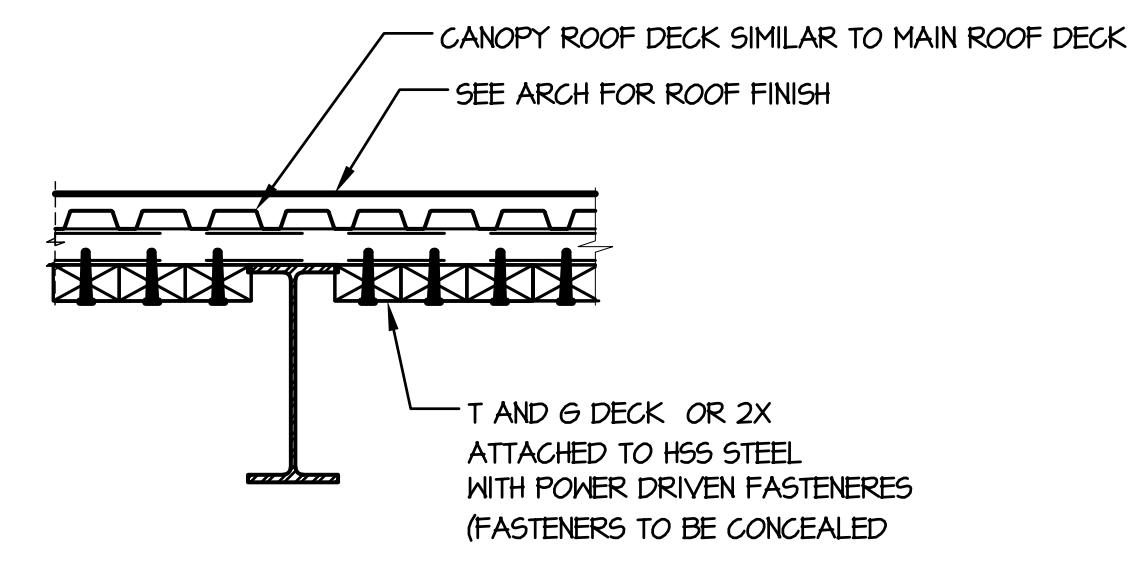
3 FRAMING DETAIL
SCALE: NO SCALE



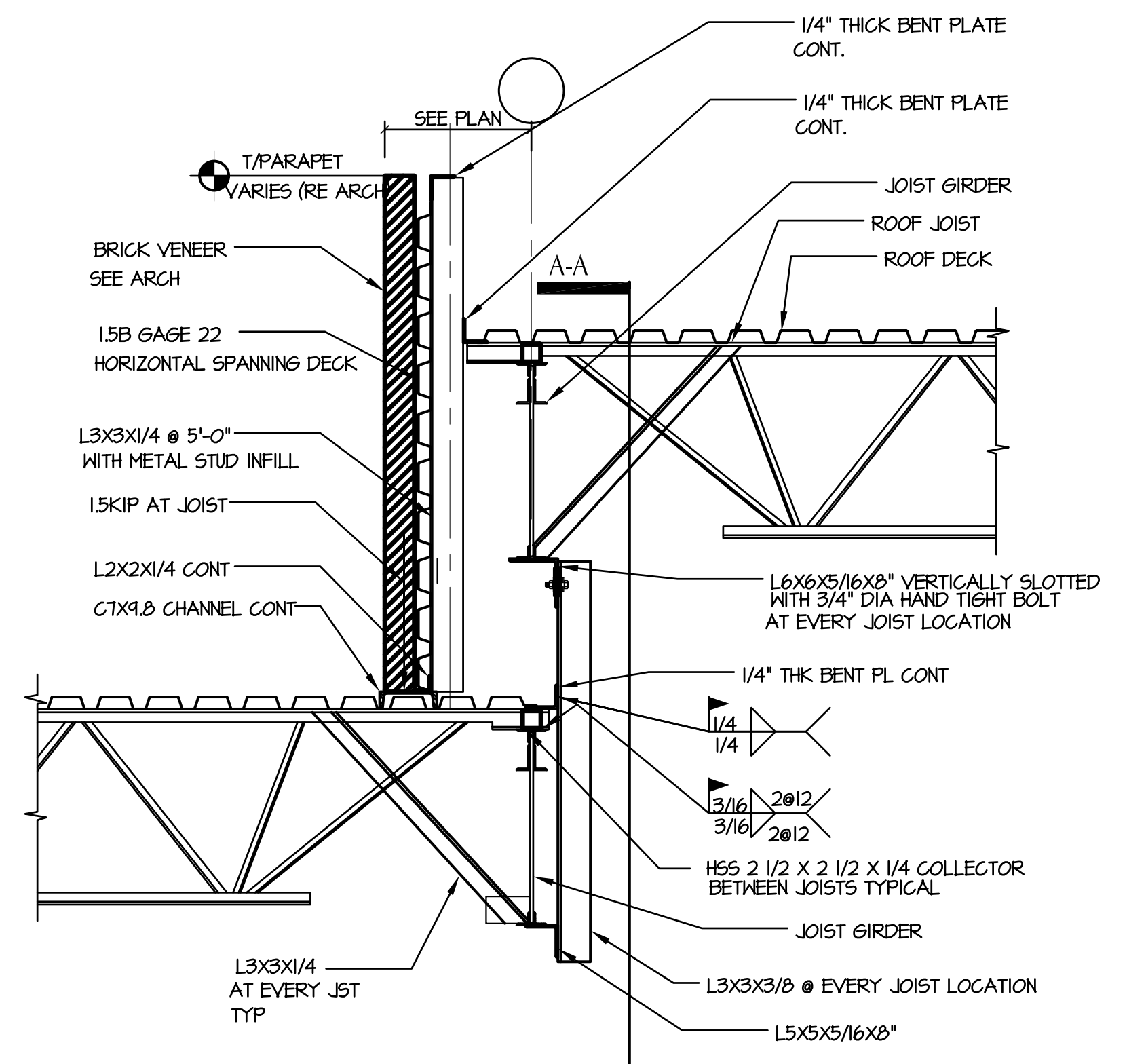
8 FRAMING DETAIL
SCALE: NO SCALE



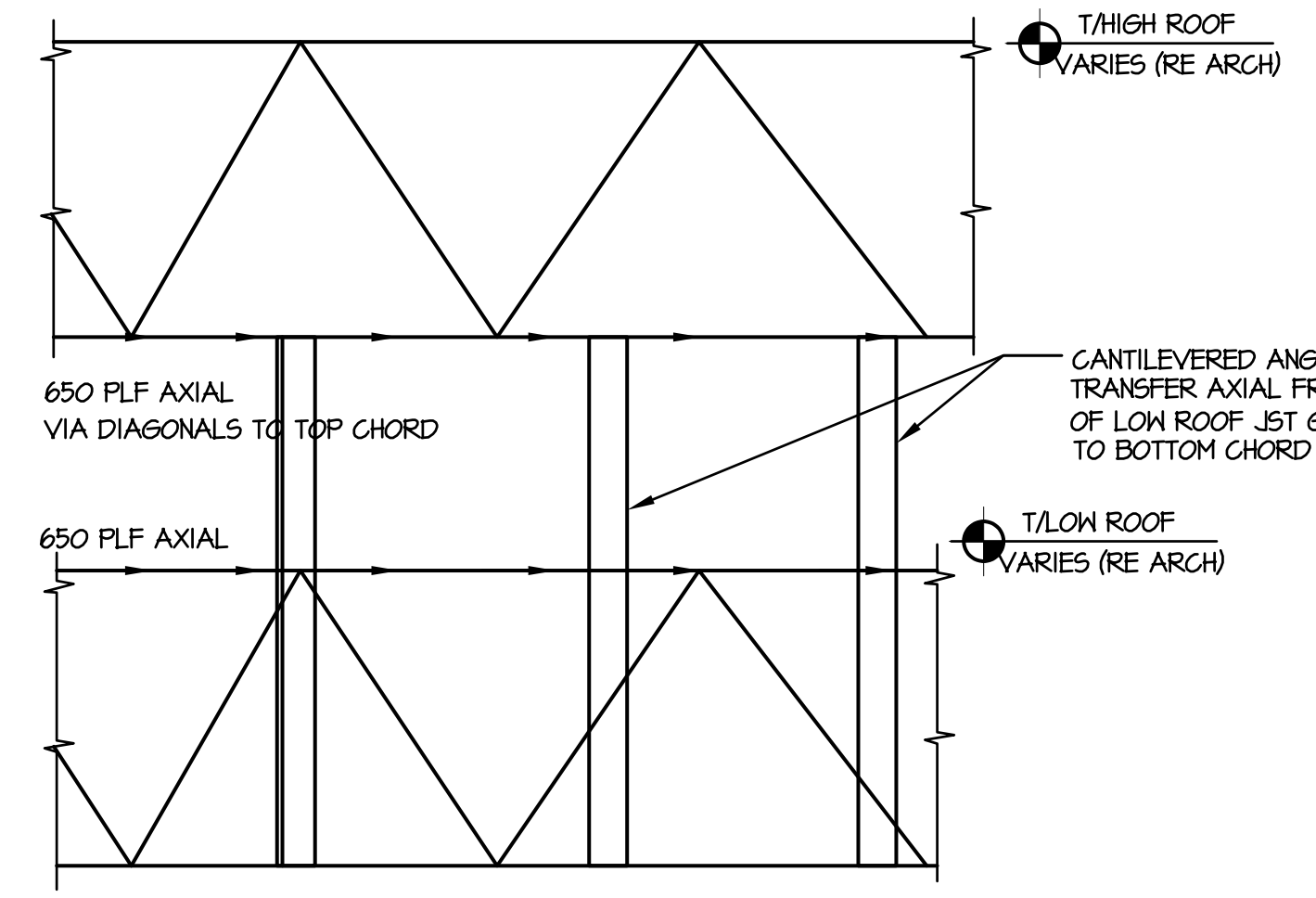
6 FRAMING DETAIL
SCALE: NO SCALE



5 FRAMING DETAIL
SCALE: NO SCALE



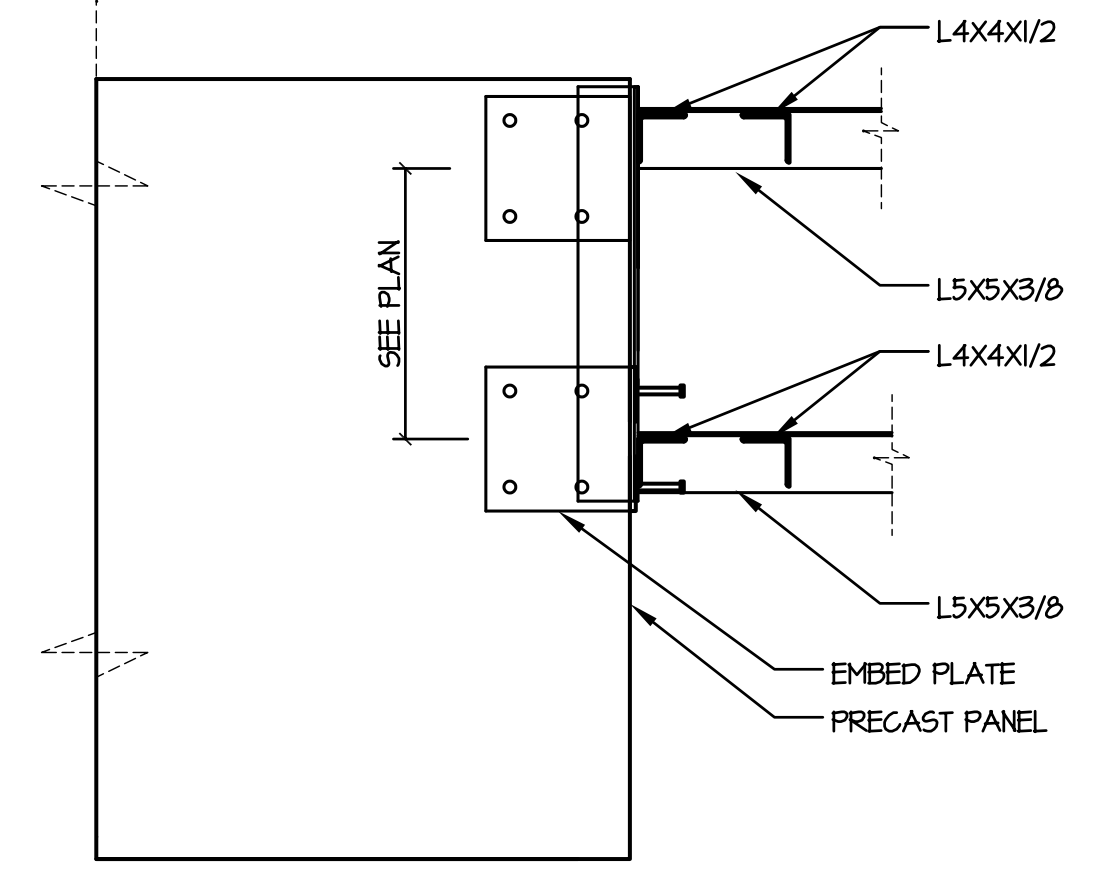
11 FRAMING DETAIL
SCALE: NO SCALE



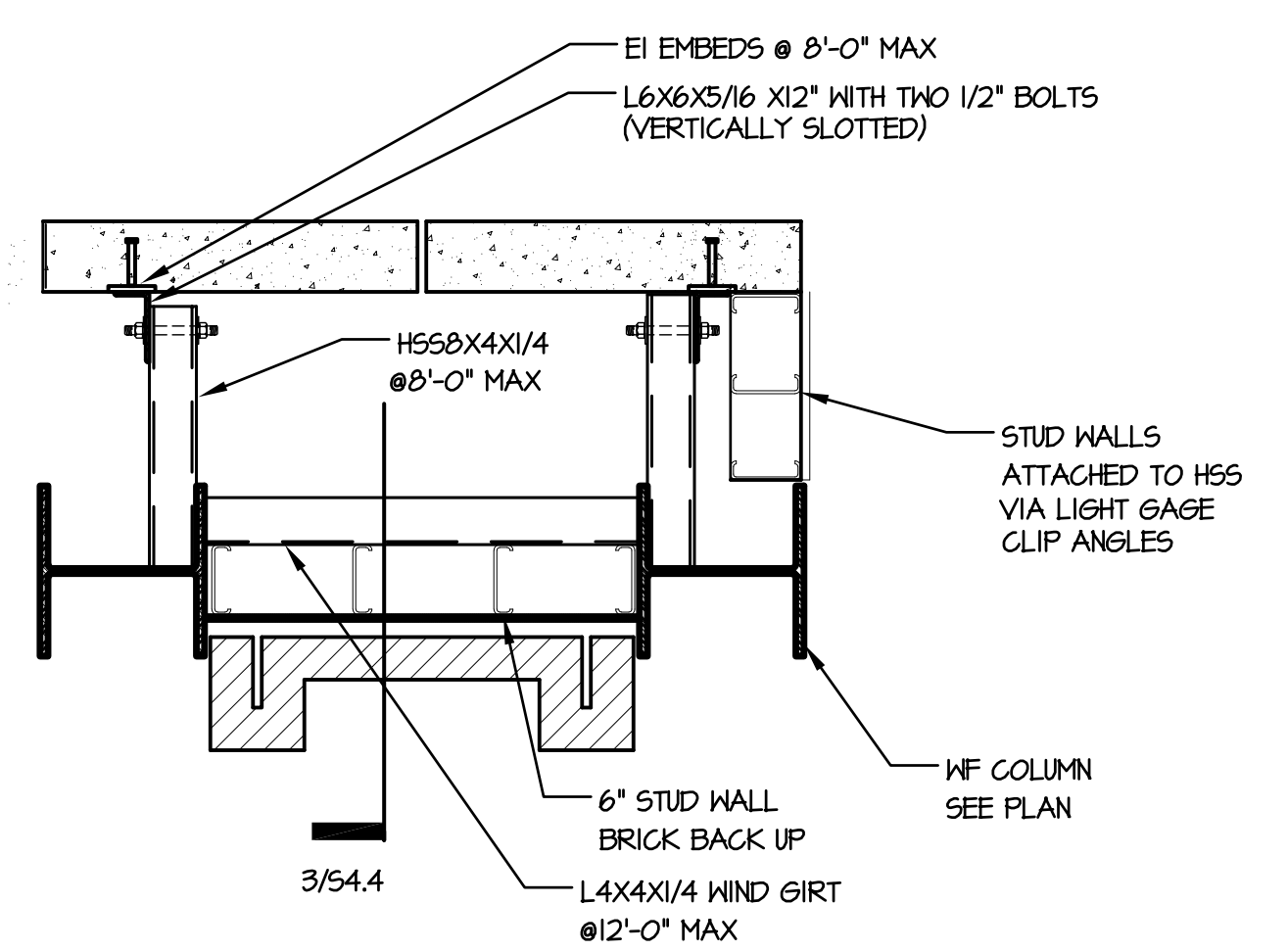
TRANSFER OF DIAPHRAGM SHEAR FROM LOW ROOF TO HIGH ROOF LOAD PATH

SECTION A-A

CANTILEVERED ANGLES TRANSFER AXIAL FROM TOP CHORD OF LOW ROOF JST GRDR TO BOTTOM CHORD OF HIGH ROOF JST GRDR



2 FRAMING DETAIL
SCALE: NO SCALE



1 FRAMING DETAIL
SCALE: NO SCALE