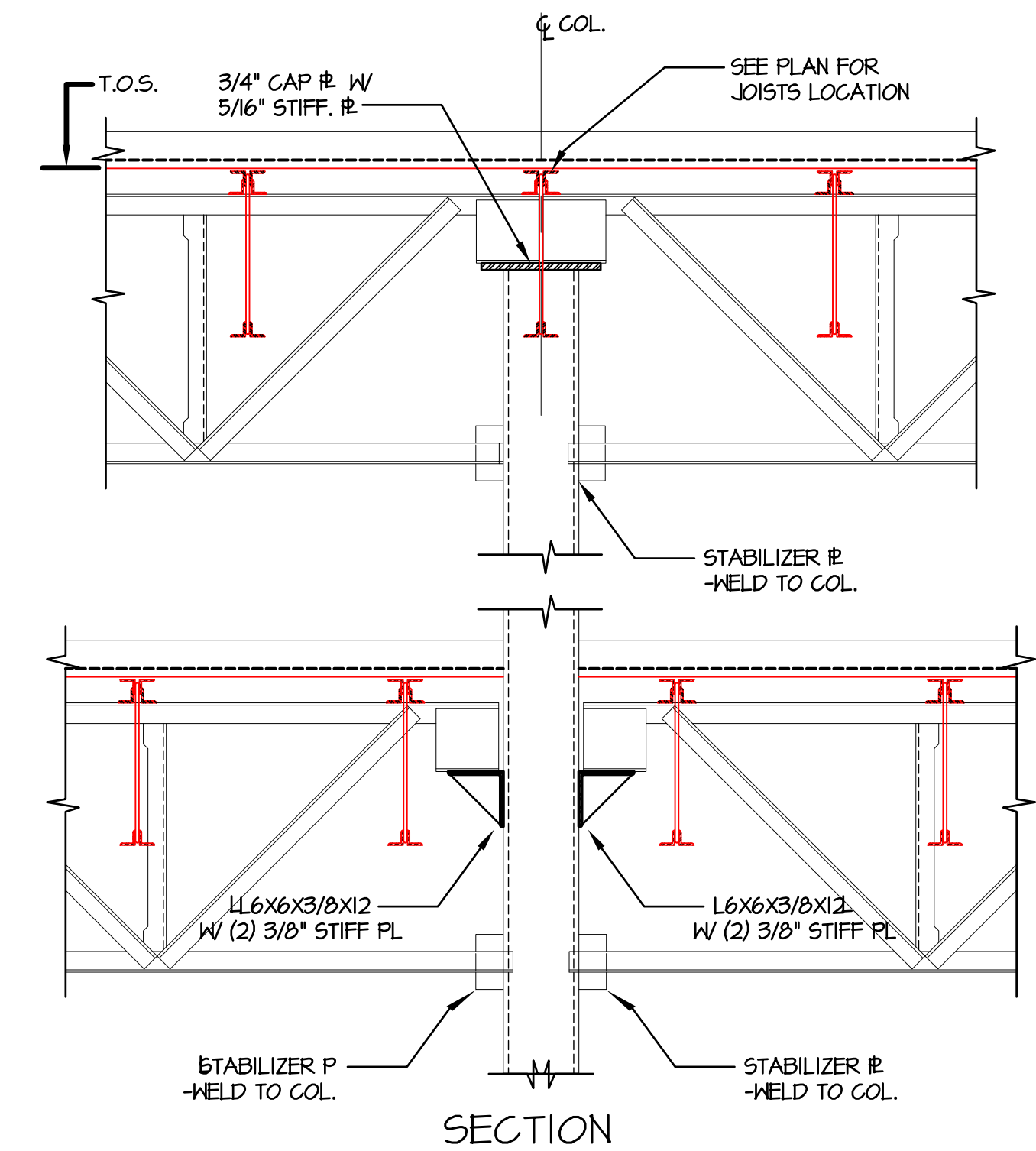
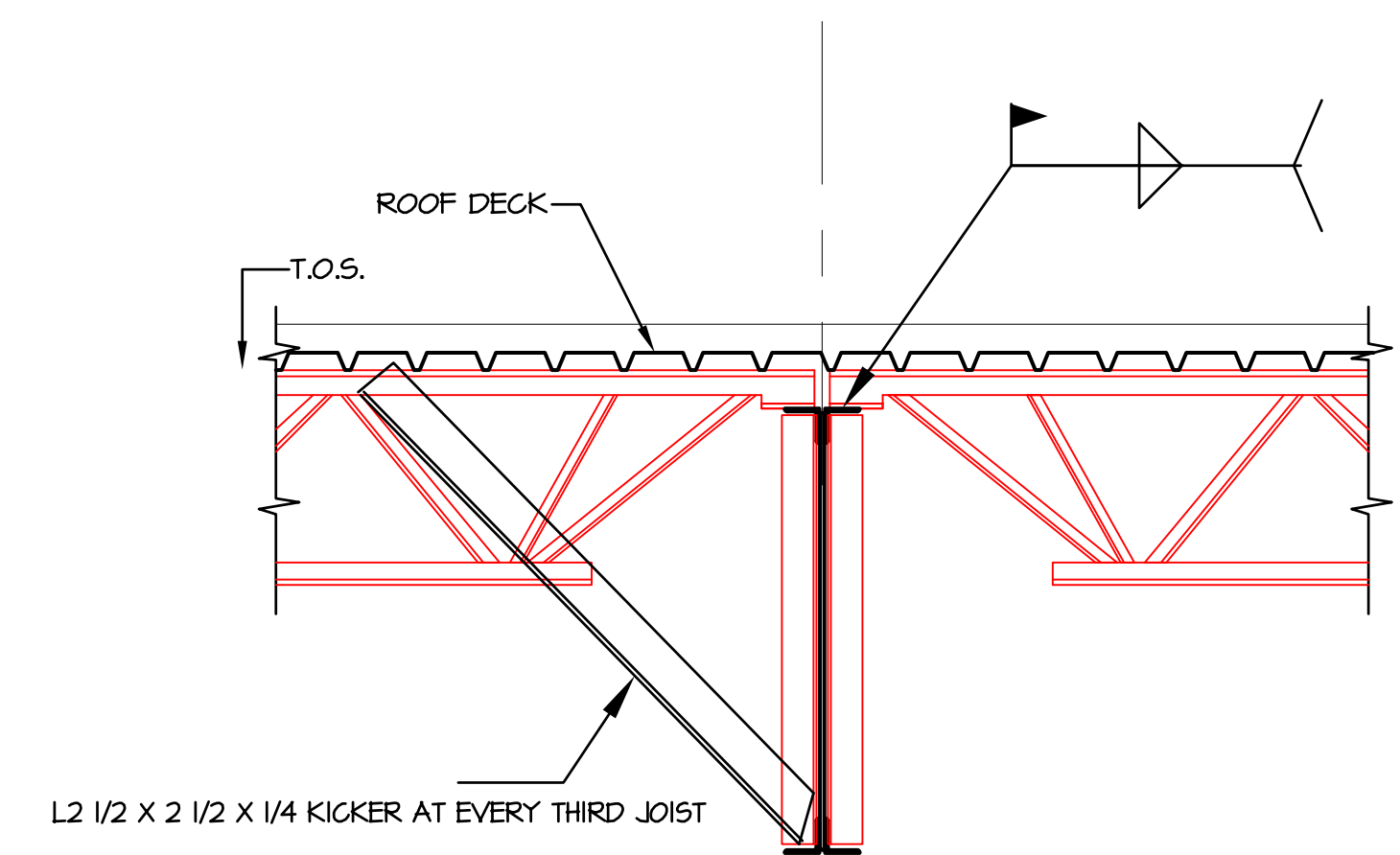


3 FRAMING DETAIL
SCALE: NO SCALE



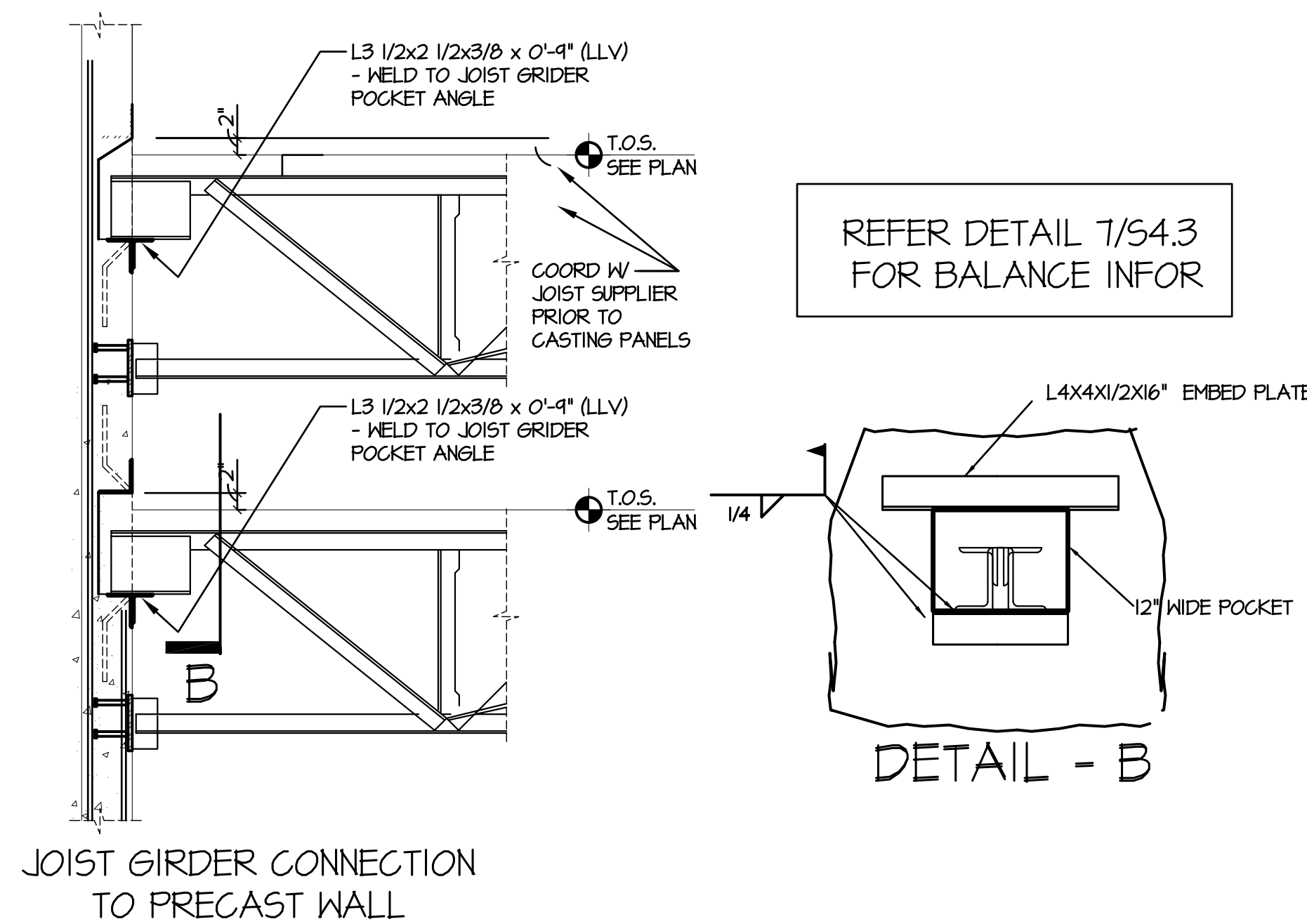
2 FRAMING DETAIL
SCALE: NO SCALE



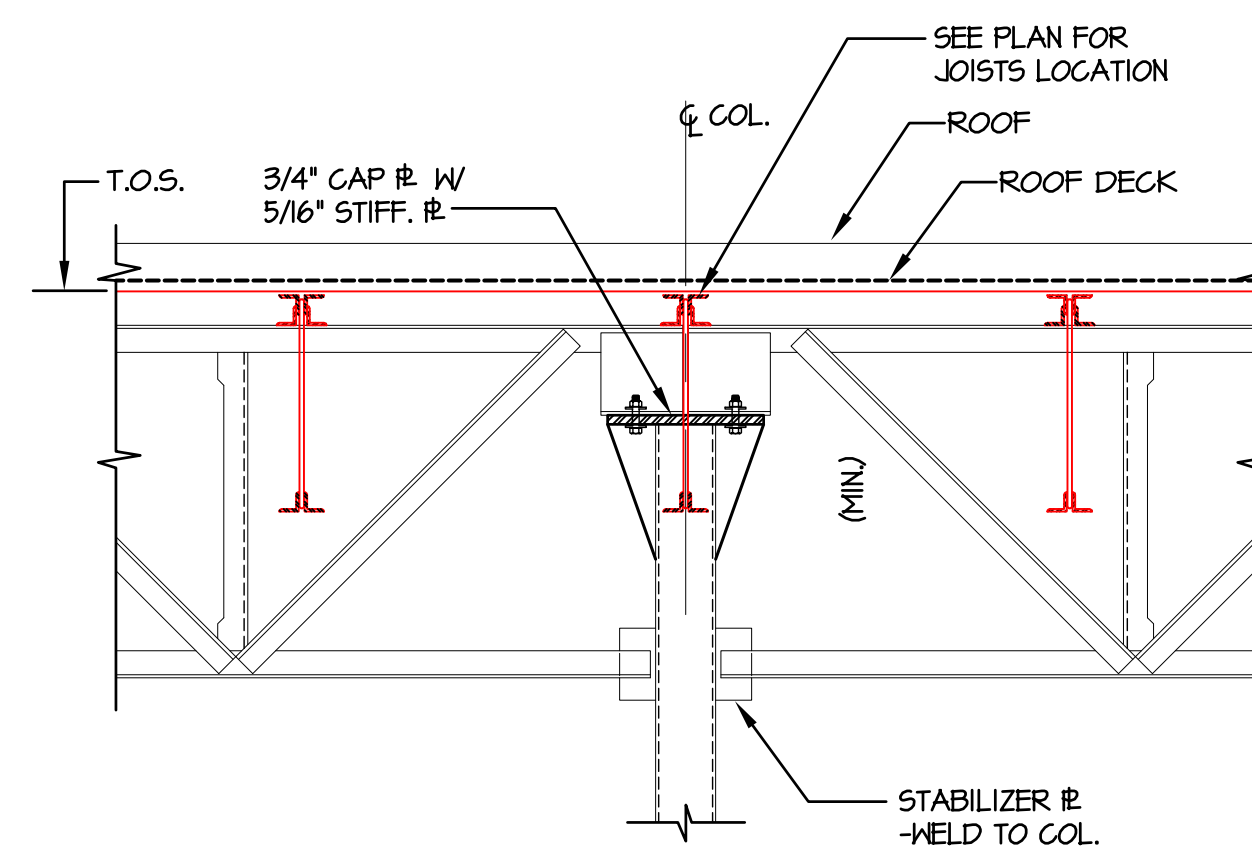
NOTES:
1. MINIMUM WIDTH OF TOP CHORD SHALL BE 6".
2. COORDINATE JOISTS AND JOIST GIRDER SEATS DEPTH WITH JOIST SUPPLIER.

TYPICAL DETAIL
OPEN WEB STEEL JOIST
AT INTERIOR JOIST GIRDER, ROOF

1 FRAMING DETAIL
SCALE: NO SCALE



5 FRAMING DETAIL
SCALE: NO SCALE



NOTE: COORDINATE JOISTS AND JOIST GIRDER SEATS DEPTH WITH JOIST SUPPLIER.

4 FRAMING DETAIL
SCALE: NO SCALE