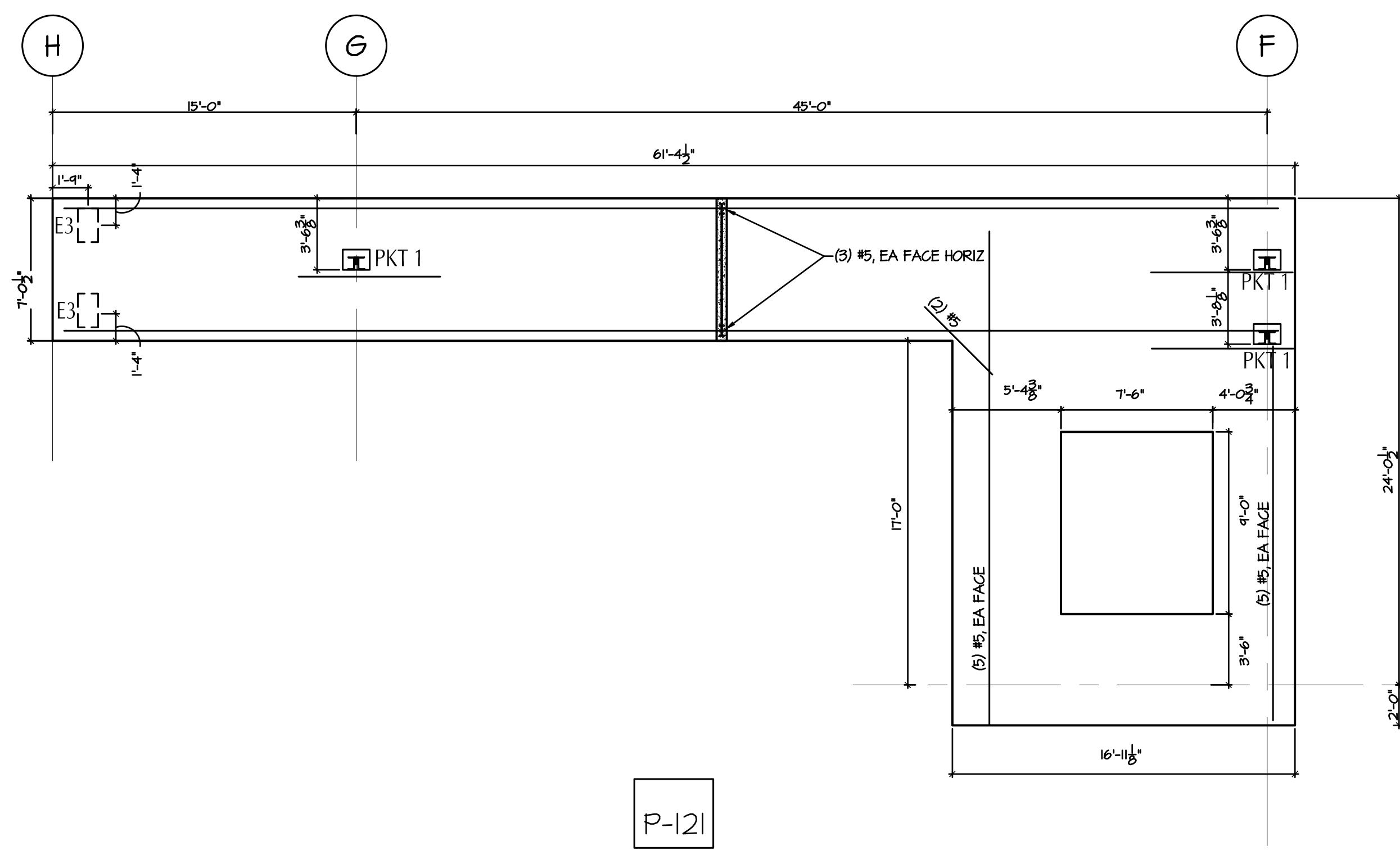
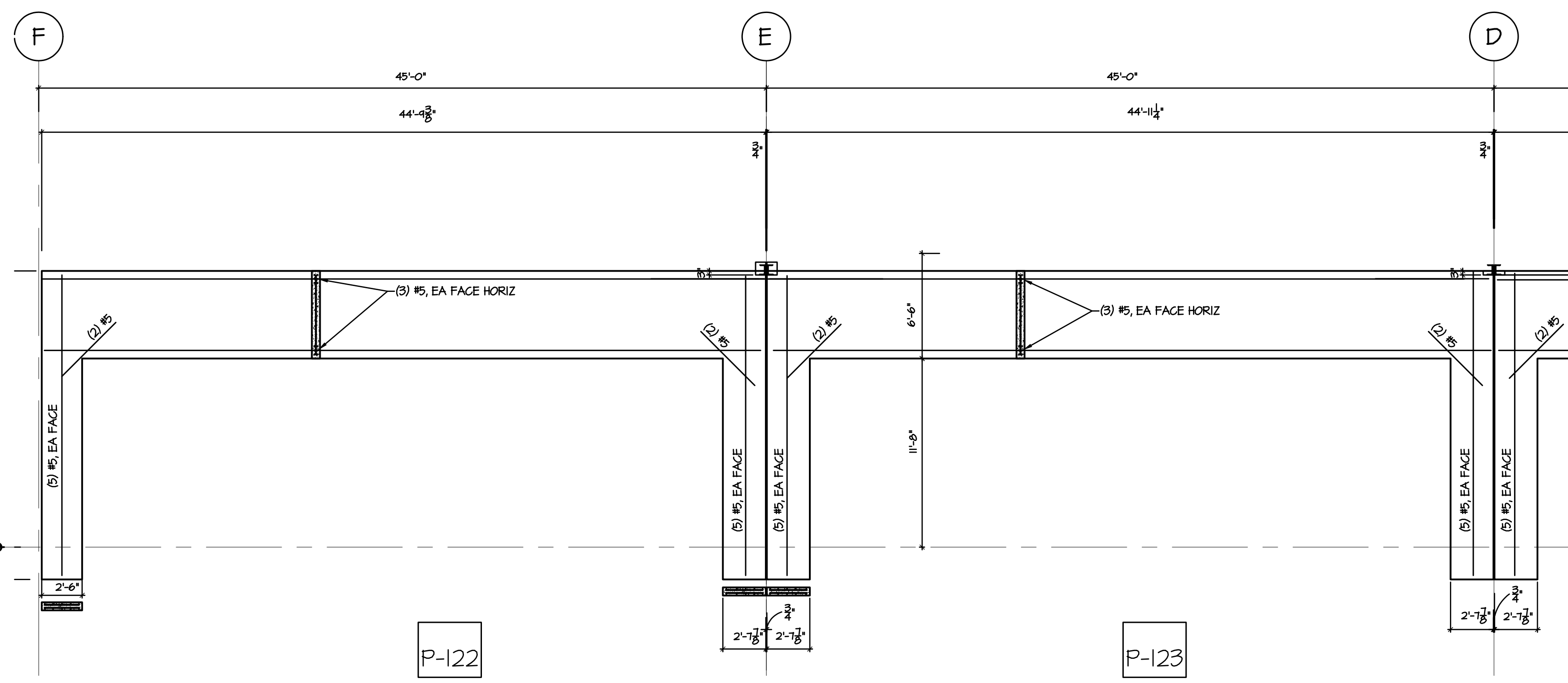


COPYRIGHT © GOULAS + ASSOCIATES, INC. ALL DRAWINGS, SPECIFICATIONS AND DESIGNS APPEARING HEREIN CONSTITUTE THE ORIGINAL AND UNPUBLISHED WORK OF THE ARCHITECT, DESIGNER AND HIS/HER ASSOCIATES, AND THE SAME MAY NOT BE DUPLICATED, USED OR DISCLOSED WITHOUT THE EXPRESS WRITTEN CONSENT OF THE ARCHITECT/DESIGNER.

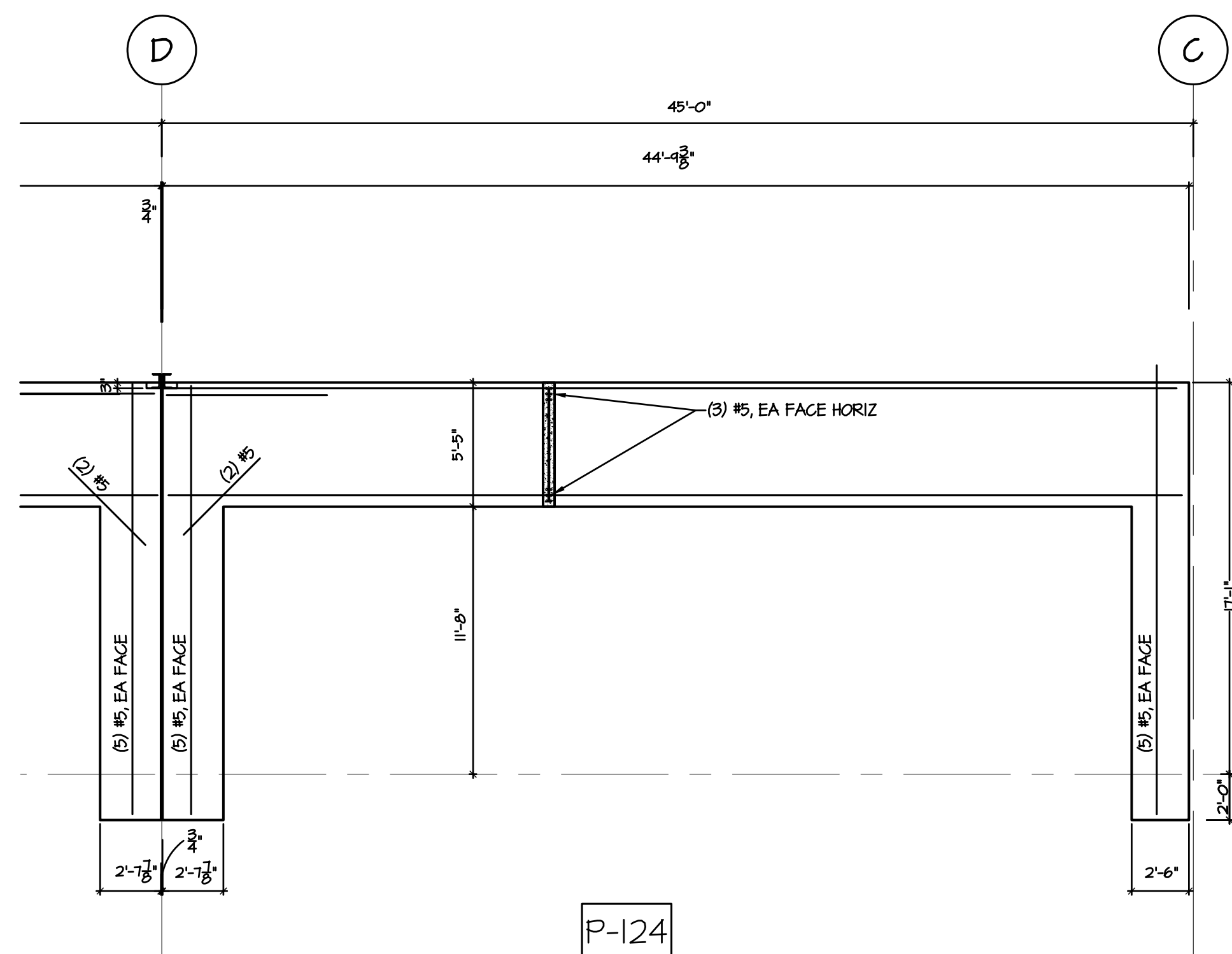


P-121

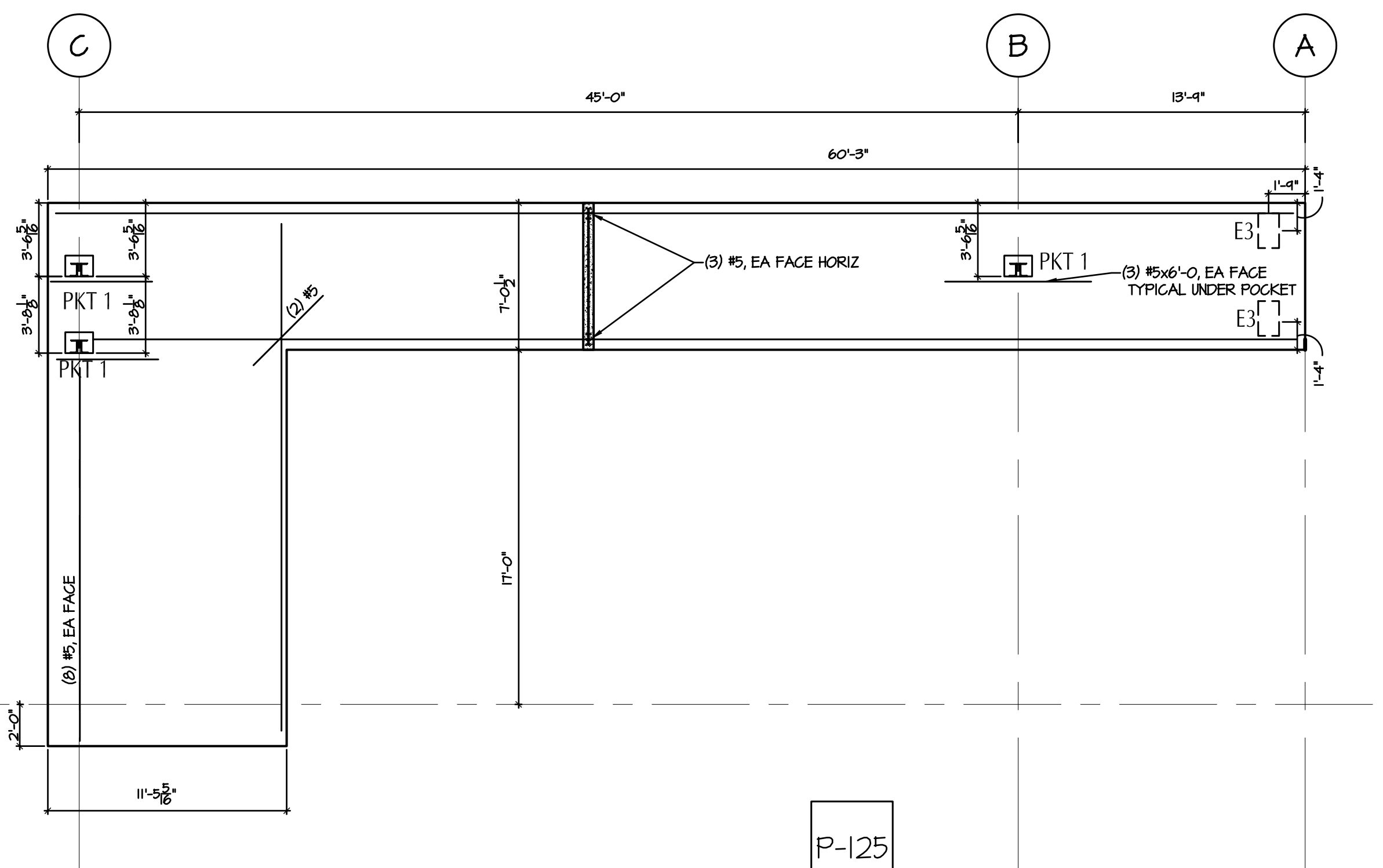


P-122

P-123



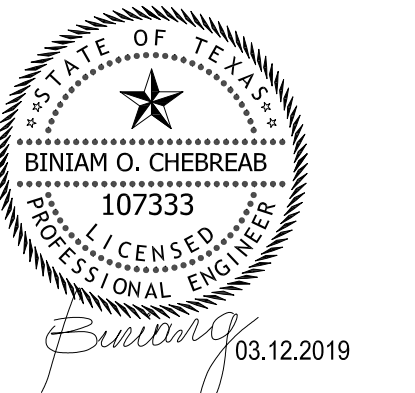
P-124



P-125

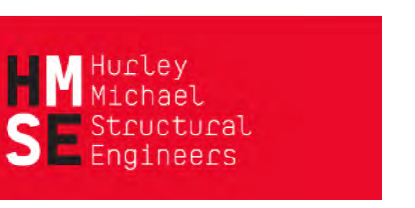


GOULAS + ASSOCIATES  
ARCHITECTS / PLANNERS  
TBPE Firm Registration No. F-18127



**Project Information:**

**Consultants:**



**SHOPS ON GOSLING**  
RETAIL CENTER  
SHELL BUILDING DEVELOPMENT  
24909 GOSLING ROAD  
SPRING, TEXAS 77389

**Sheet Title:**

**P/C PANEL  
ELEVATIONS**

**Issue:**

CD/PERMIT  
**Issue Date:**

12 MARCH 2019

**Revision Date:**

**Sheet:**

**S5.4**